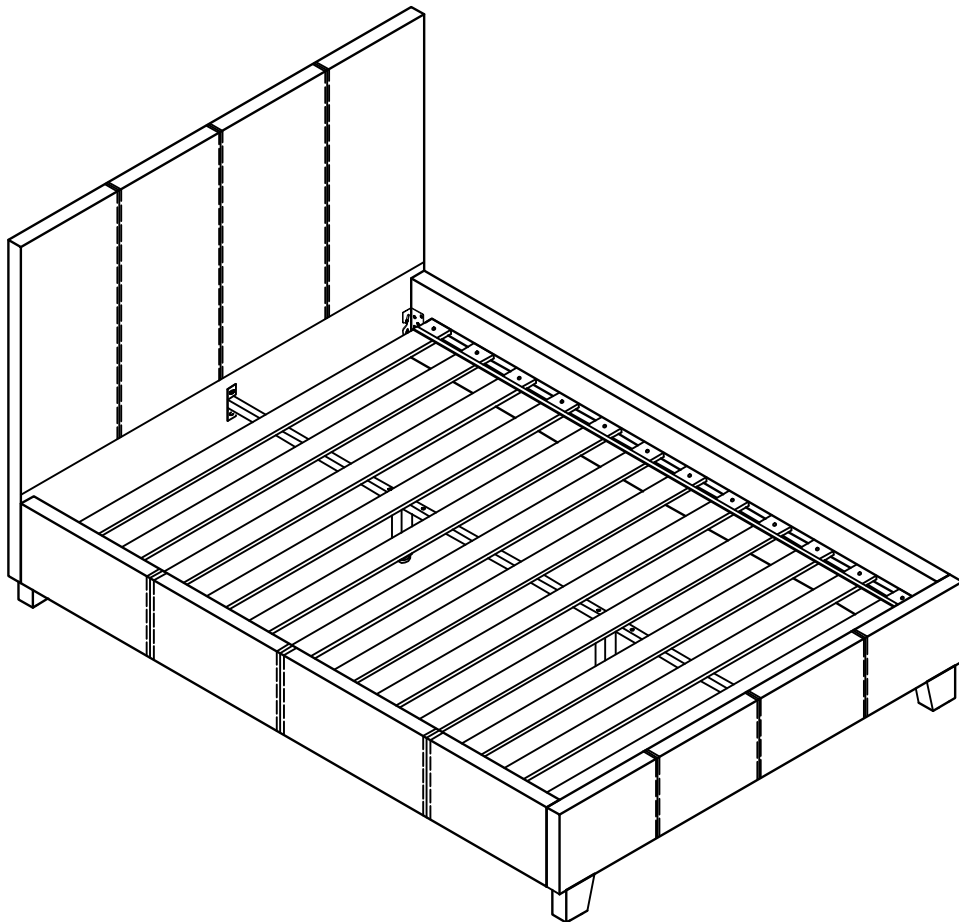


# **ASSEMBLY INSTRUCTION**

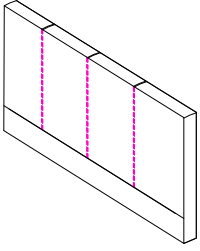
## **HDBED8079-DOUBLE**

**IMPORTANT: PLACE ALL PARTS ON A CLEAN AND SMOOTH SURFACE SUCH AS A RUG OR CARPET TO AVOID THE PARTS FROM BEING SCRATCHED. KINDLY FOLLOW THE ASSEMBLY INSTRUCTIONS STEP BY STEP. DO NOT TIGHTEN ALL SCREWS UNTIL THE BED IS FULLY SET-UP.**

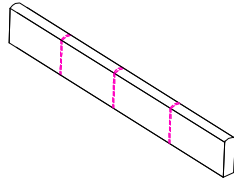


## PARTS LIST:

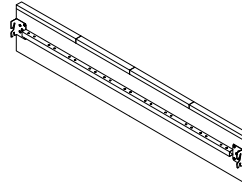
① Headboard=1pc



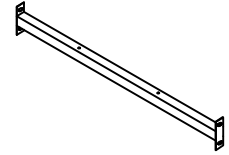
② Footboard=1pc



③ Side Rail=2pcs



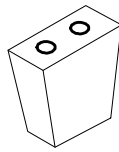
④ Support rail=1pc



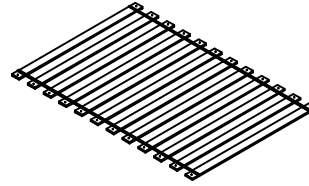
⑤ Support leg=2pcs



⑥ FB Feet=4pcs



⑦ Slats=12pcs



## HARDWARE LIST:

Ⓐ Allen Key=1pc



Ⓑ Bolt  $\frac{5}{16}$ "x1"=12pcs



Ⓒ Bolt  $\frac{5}{16}$ "x1-1/2"=2pcs



Ⓓ Bolt  $\frac{5}{16}$ "x3-1/2"=8pcs



Ⓔ Flat Washer  $\frac{5}{16}$ "x19=38pcs



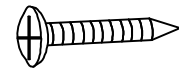
Ⓕ Flat Washer  $\frac{5}{16}$ "x16=8pcs



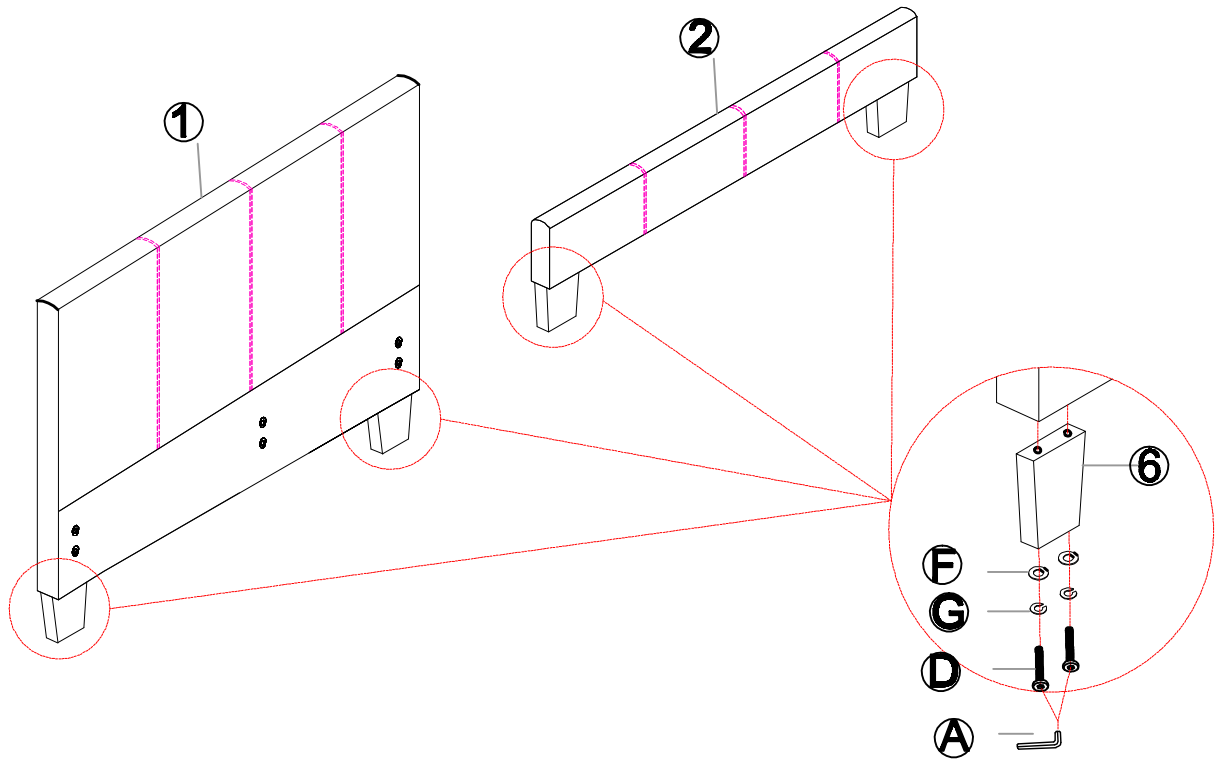
Ⓖ SpringWasher=22pcs



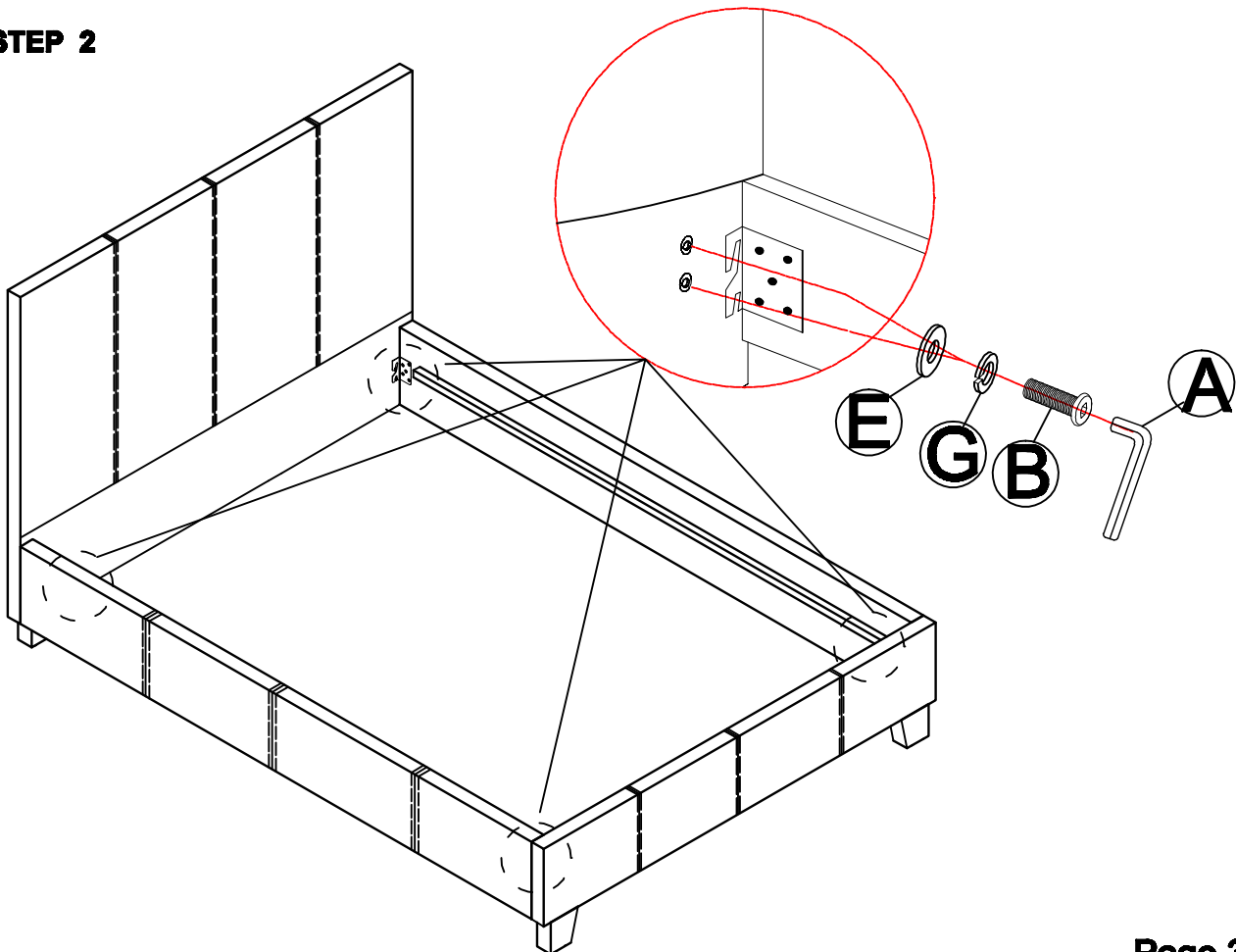
Ⓗ screw 10mmX1-1/4"=24pcs



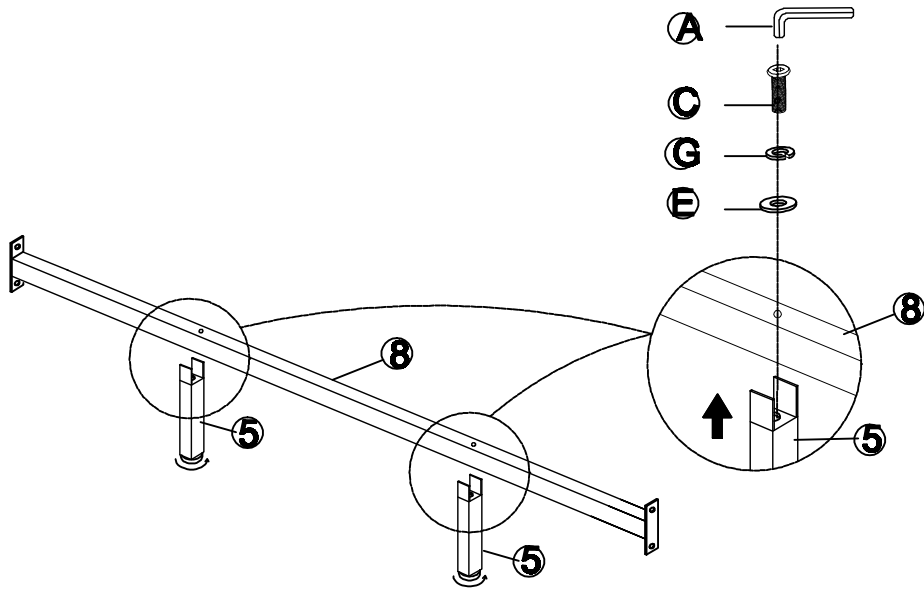
**STEP 1**



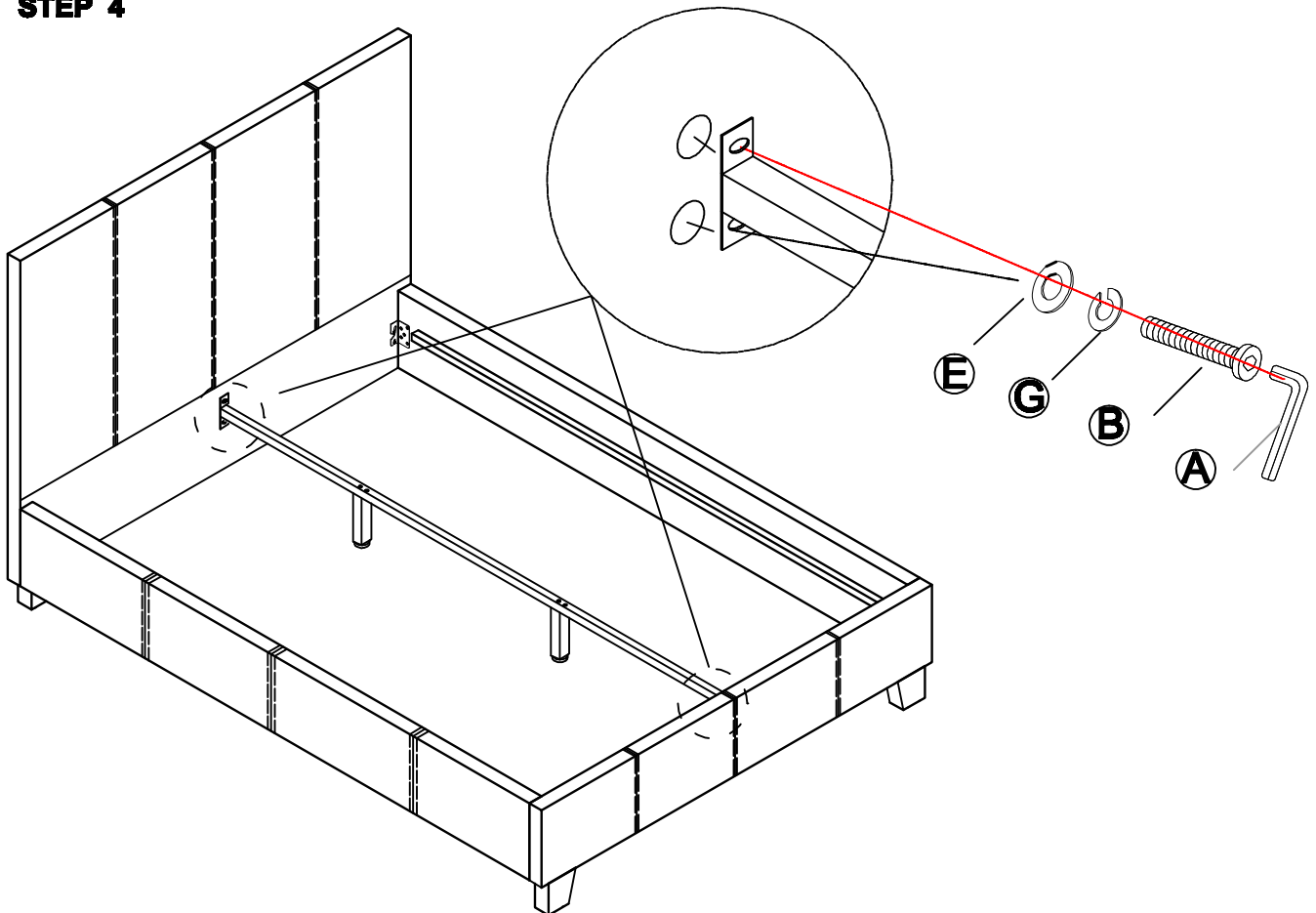
**STEP 2**



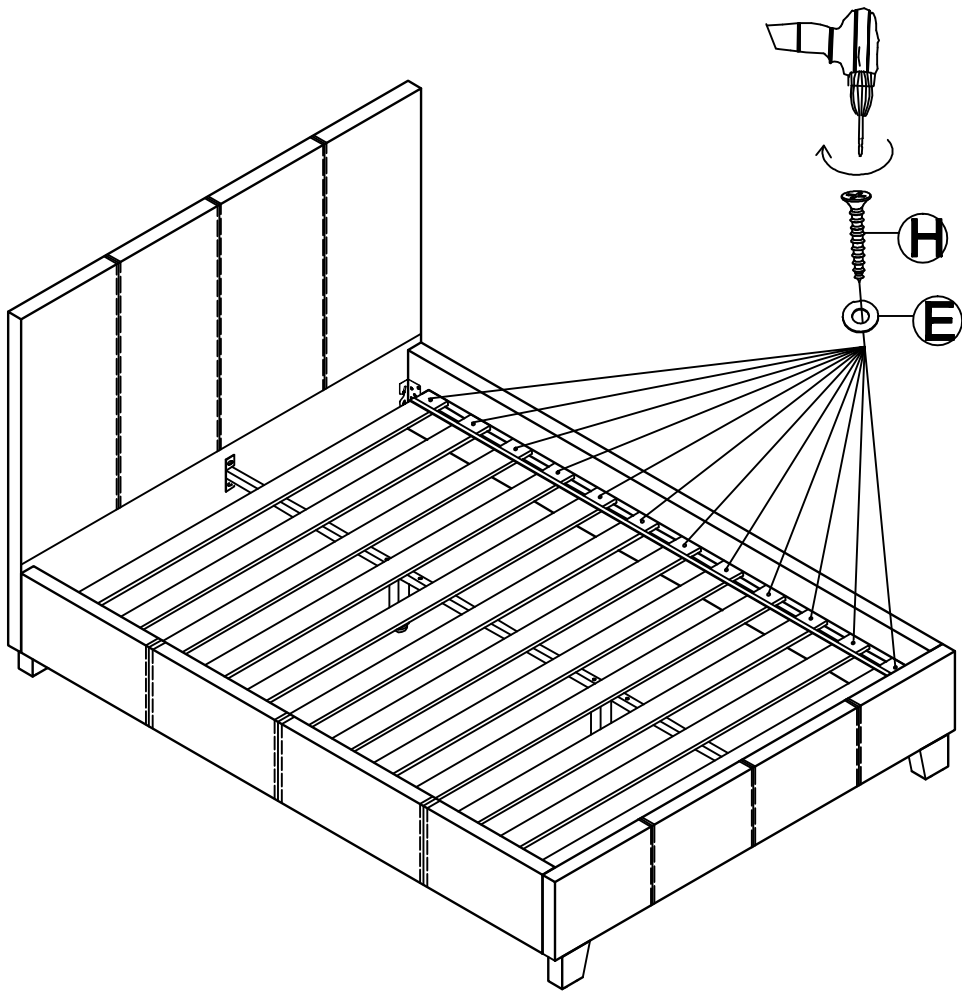
**STEP 3**



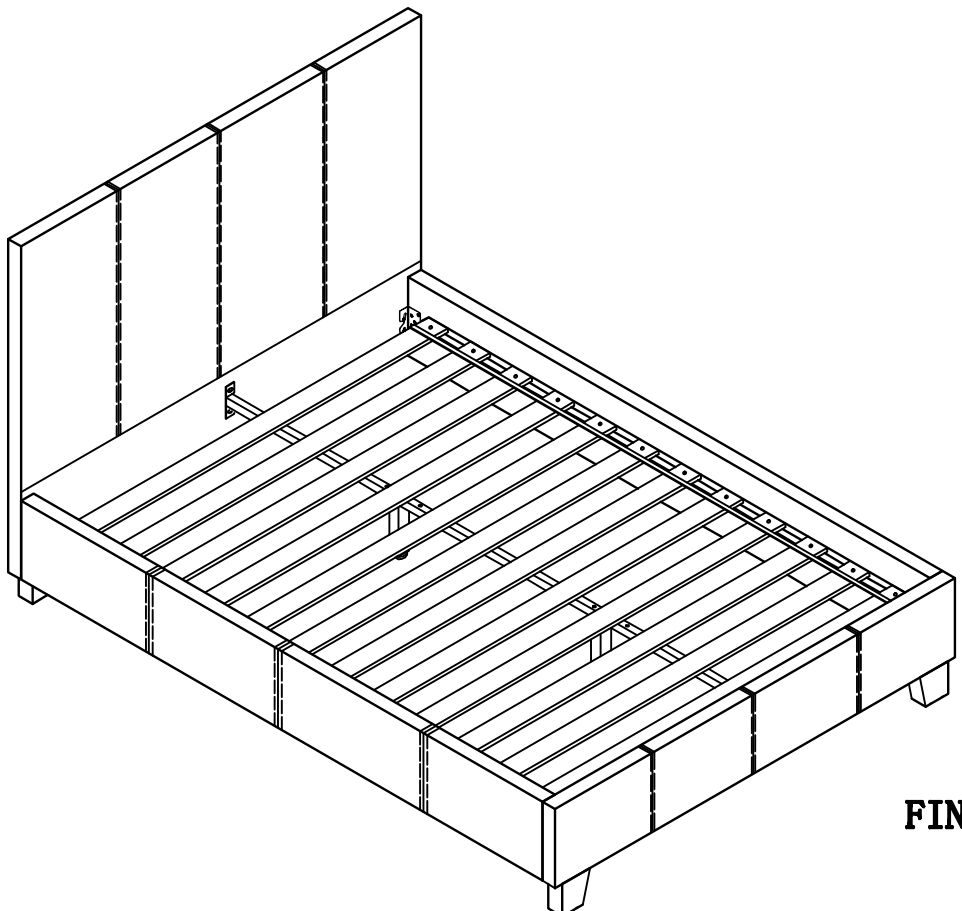
**STEP 4**



**STEP 5**



**STEP 6**



**FINAL**