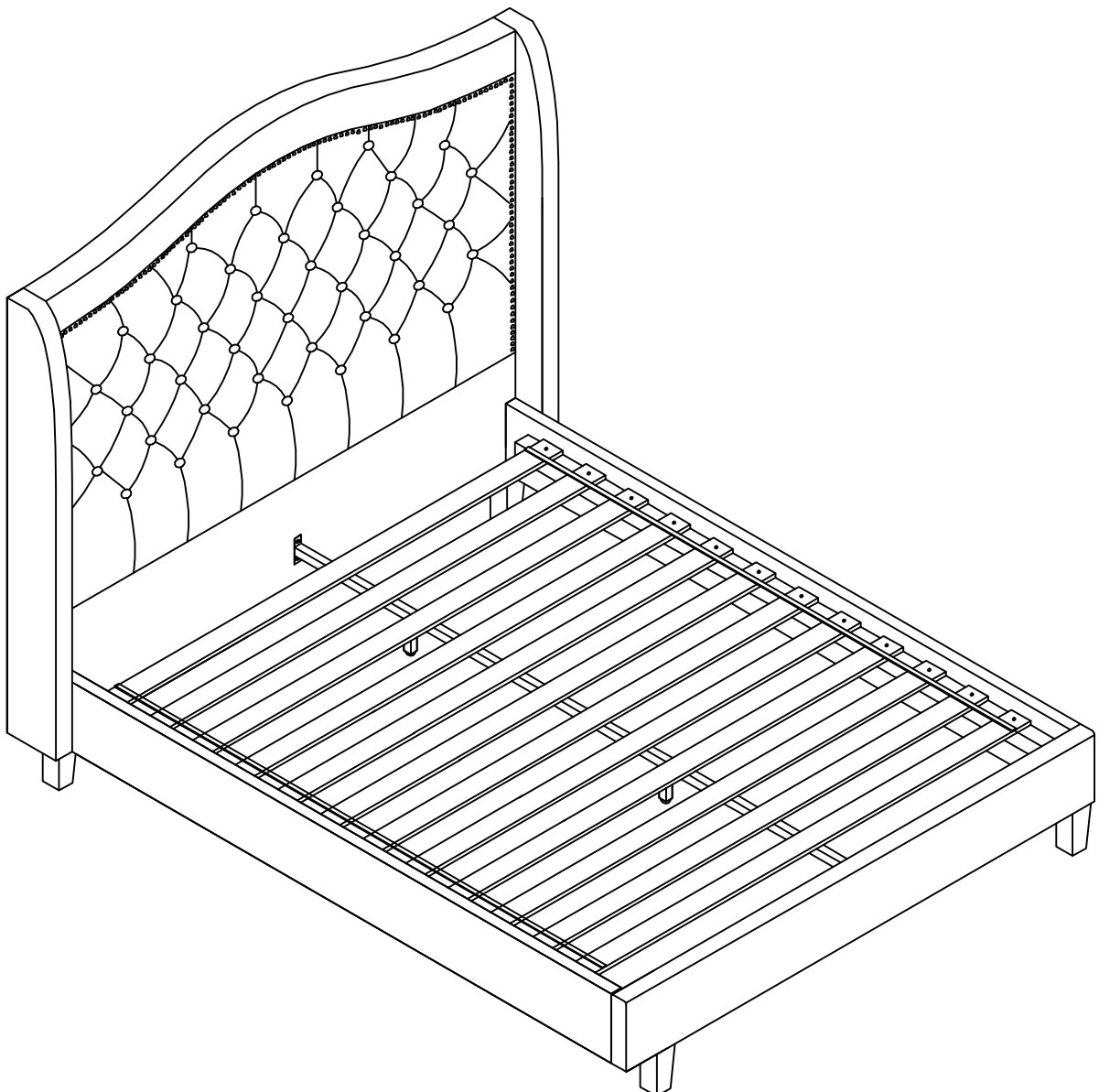


ASSEMBLY INSTRUCTION

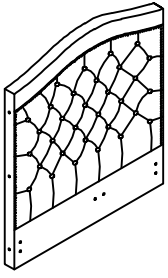
HQBED00013-QUEEN

IMPORTANT: PLACE ALL PARTS ON A CLEAN AND SMOOTH SURFACE SUCH AS A RUG OR CARPET TO AVOID THE PARTS FROM BEING SCRATCHED. KINDLY FOLLOW THE ASSEMBLY INSTRUCTIONS STEP BY STEP. DO NOT TIGHTEN ALL SCREWS UNTIL THE BED IS FULLY SET-UP.

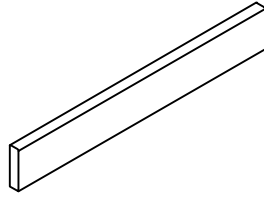


PARTS LIST:

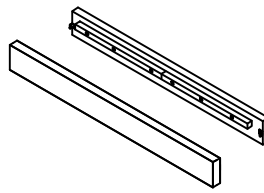
① Headboard=1pc



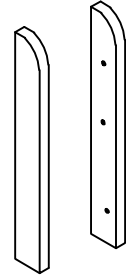
② Footboard=1pc



③ Side Rail=2pcs



④ Wingback=2pcs



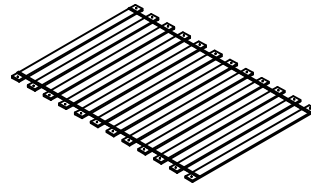
⑤ Support leg=2pcs



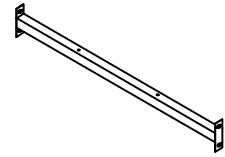
⑥ FB Feet=4pcs



⑦ Slats=12pcs



⑧ Support rail=1pc



HARDWARE LIST:

Ⓐ Allen Key=1pc



Ⓑ Bolt $\frac{5}{16}$ "x1-1/2"=14pcs



Ⓒ Bolt $\frac{5}{16}$ "x2"=6pcs



Ⓓ Bolt $\frac{5}{16}$ "x3"=4pcs



Ⓔ Flat Washer $\frac{5}{16}$ "x19=42pcs



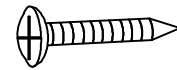
Ⓕ Flat Washer $\frac{5}{16}$ "x22=6pcs



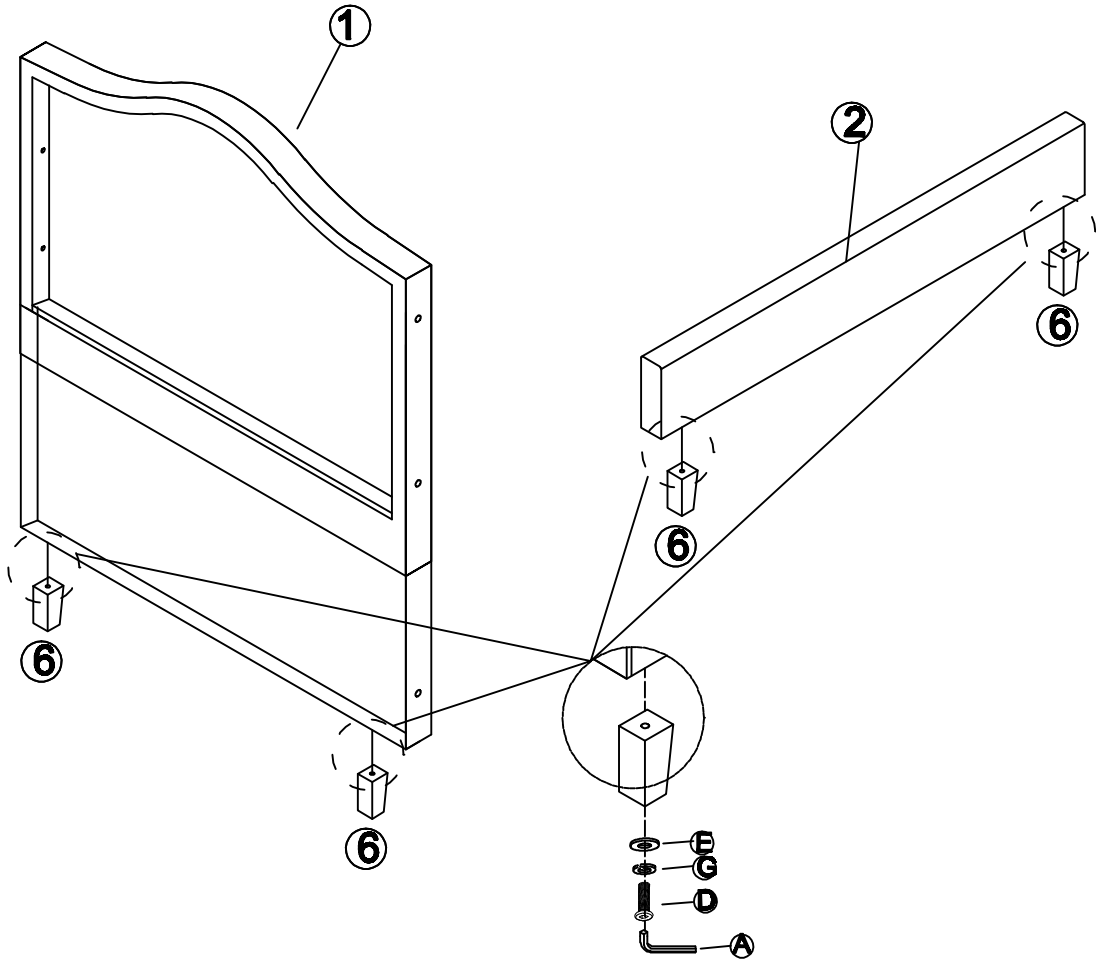
Ⓖ SpringWasher=24pcs



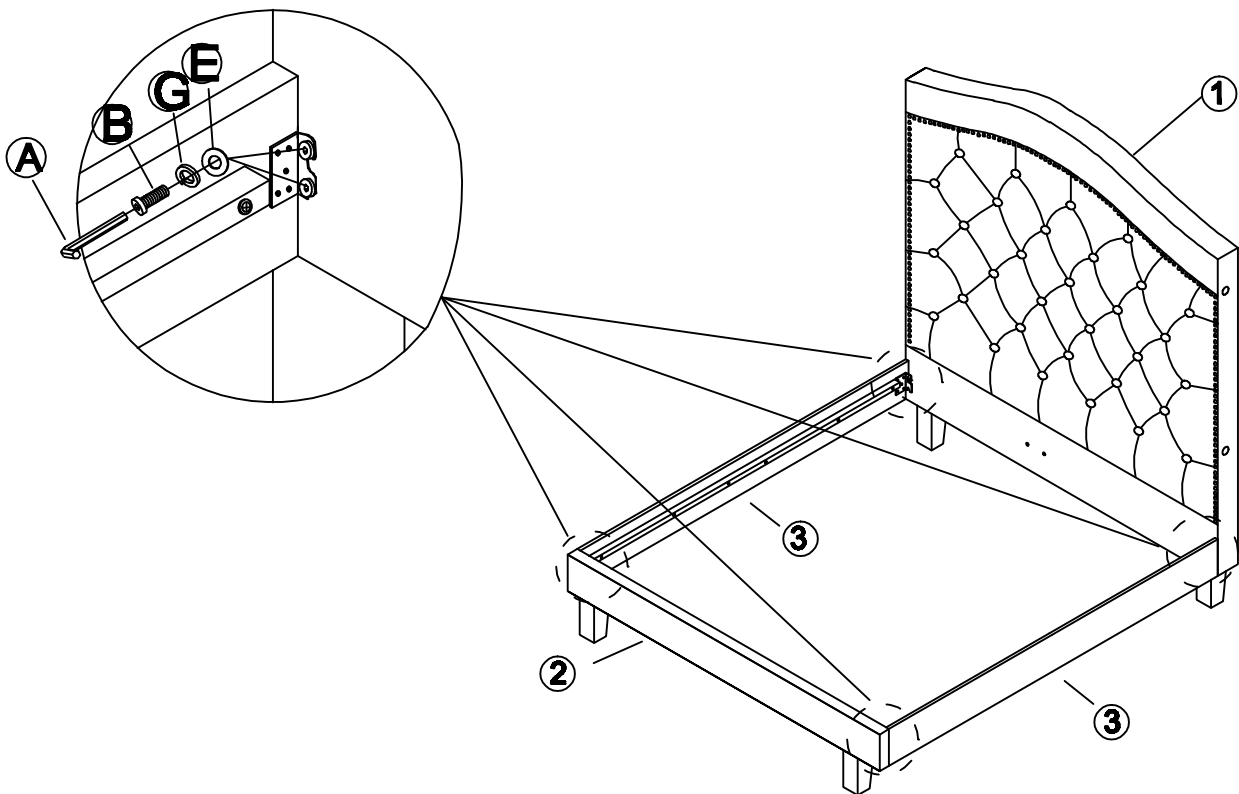
Ⓗ screw 10mmX1-1/4"=24pcs



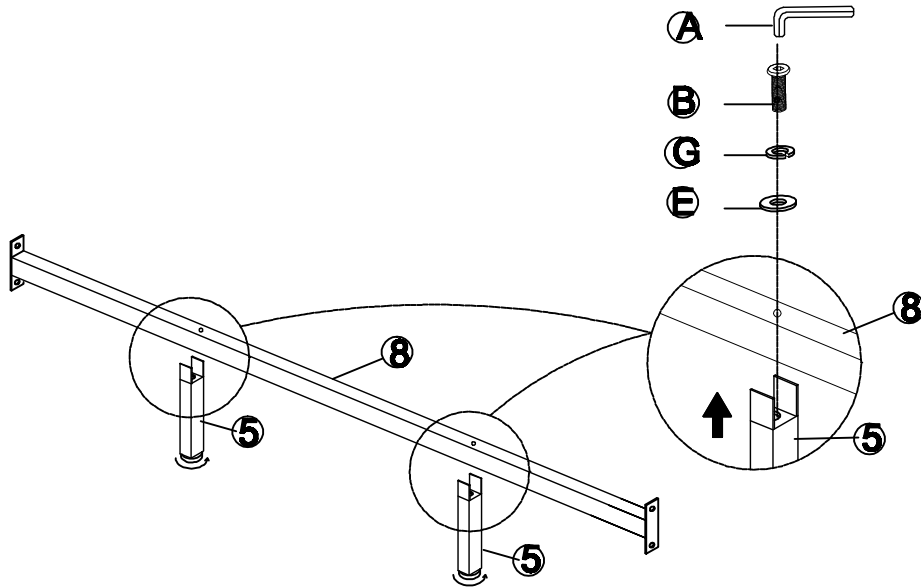
STEP 1



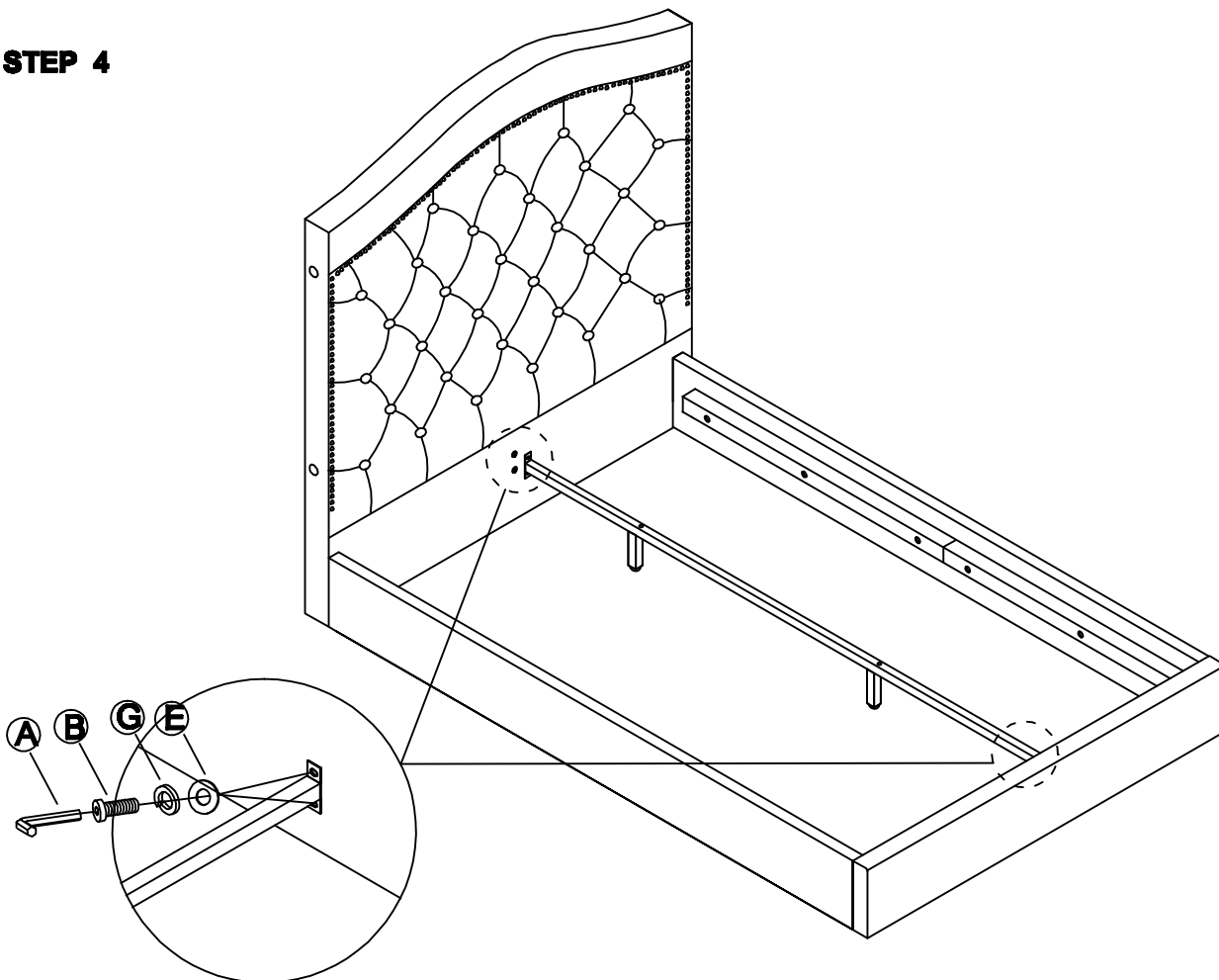
STEP 2



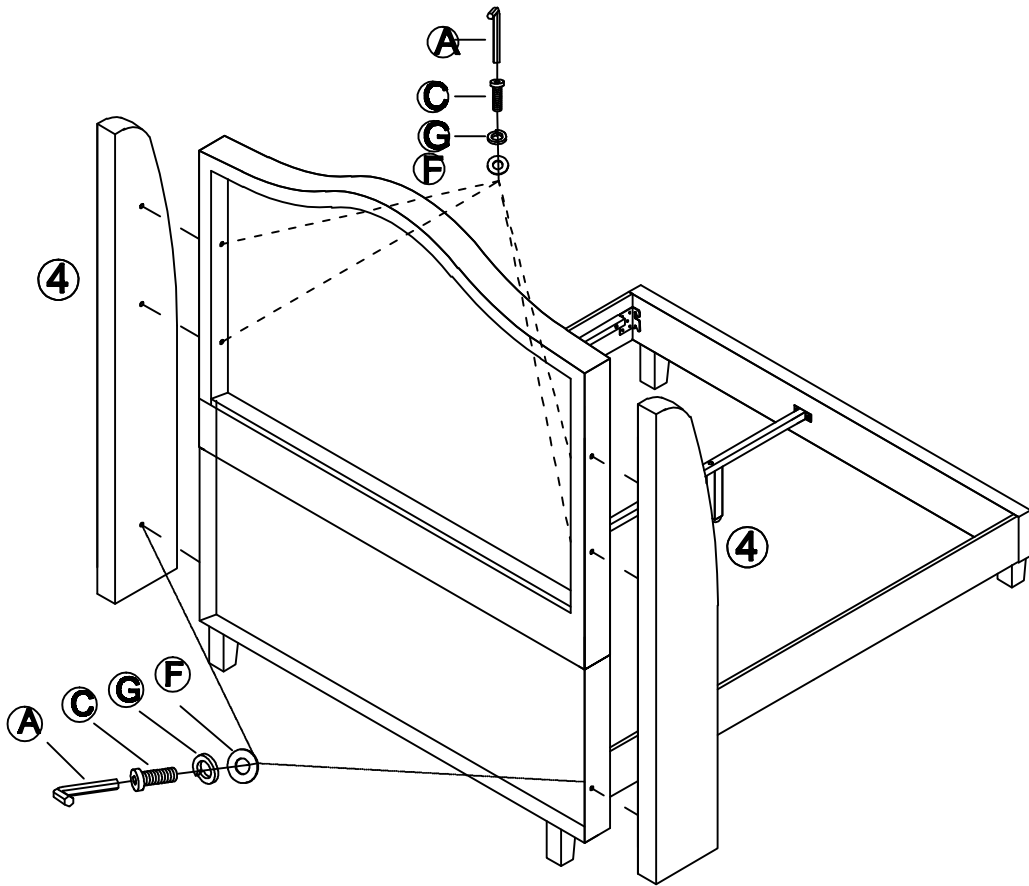
STEP 3



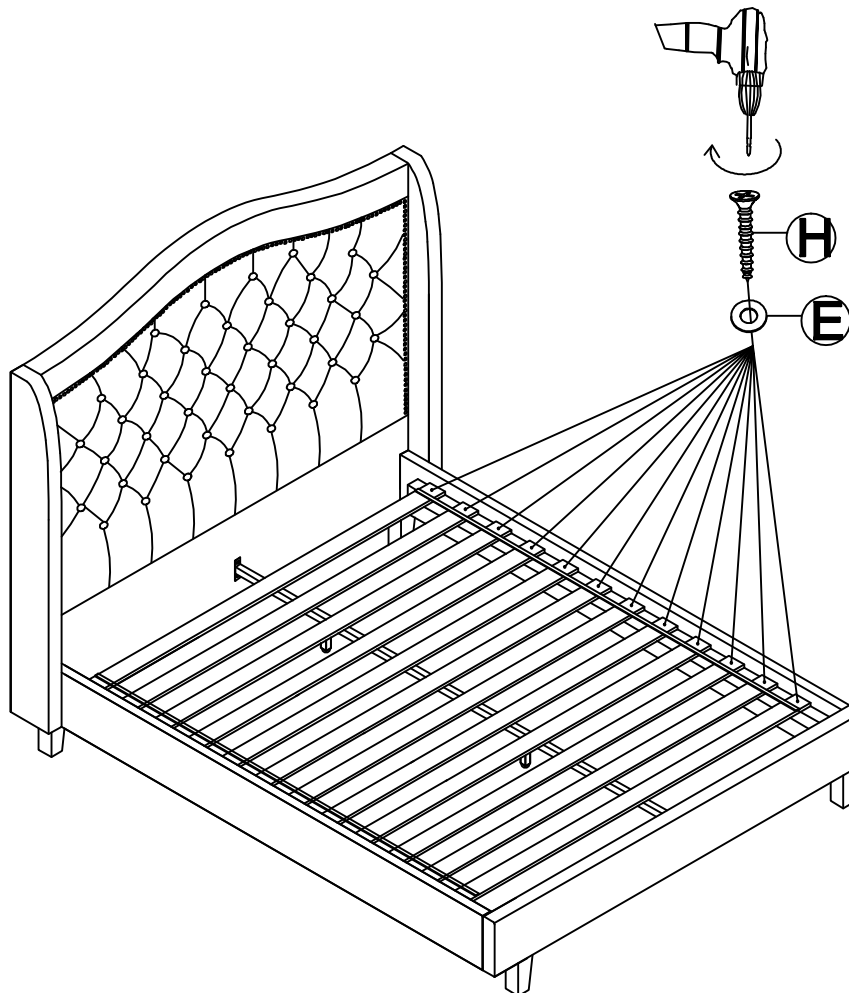
STEP 4



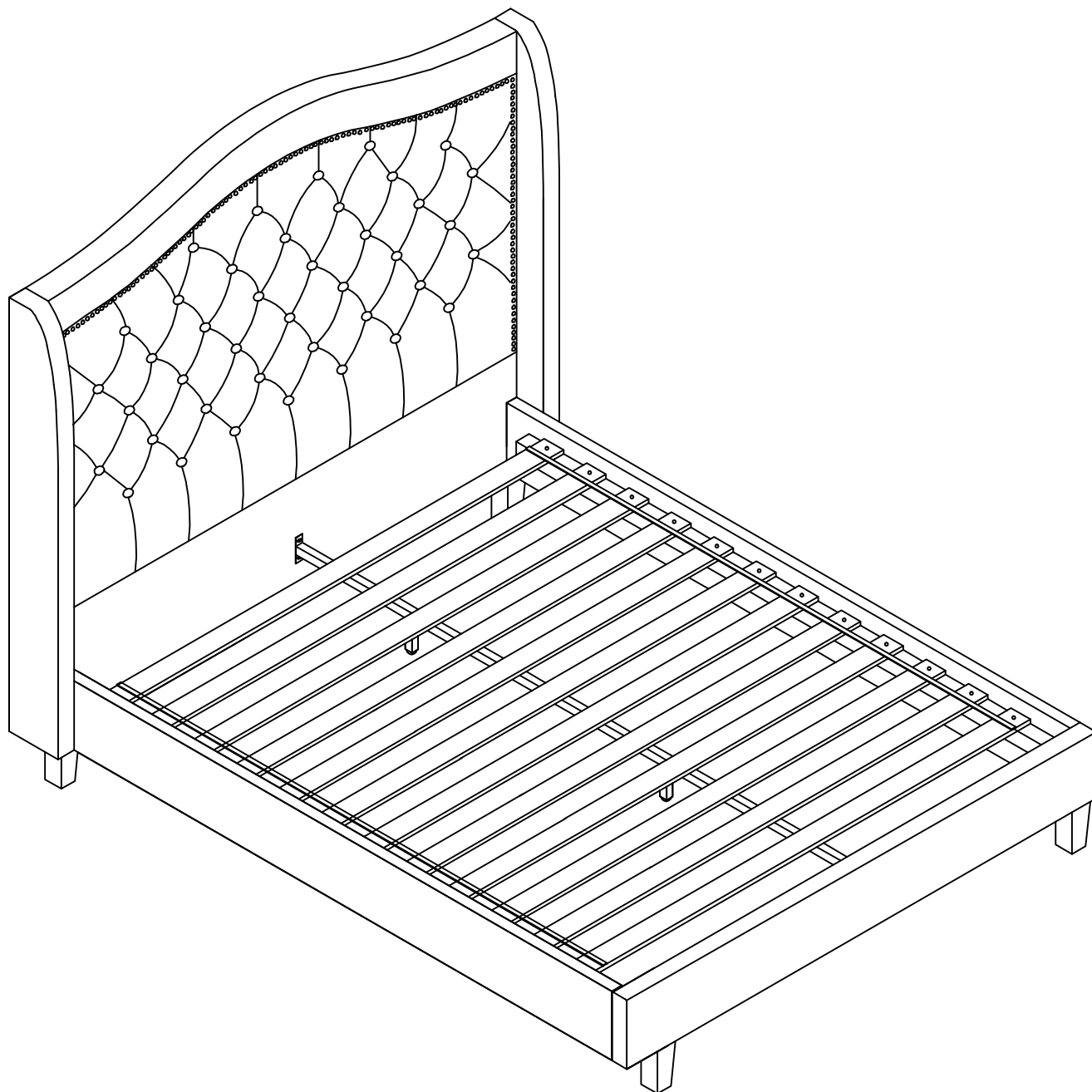
STEP 5



STEP 6



STEP 7



FINAL