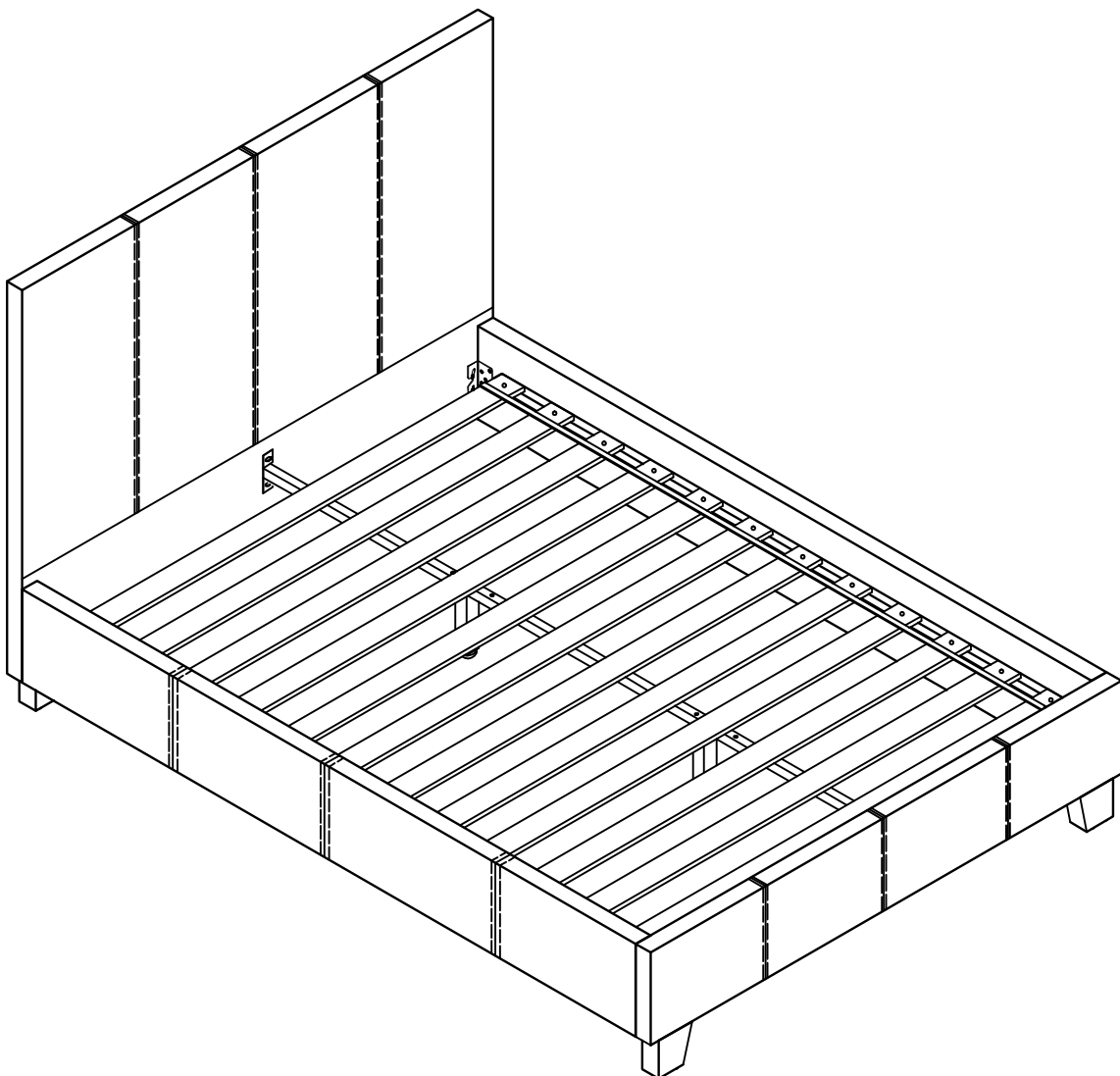


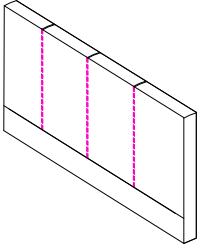
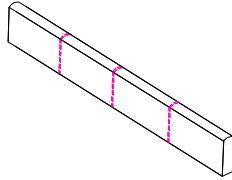
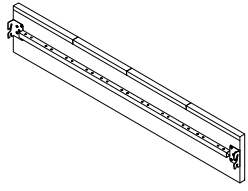
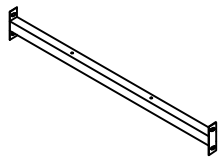

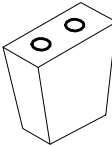
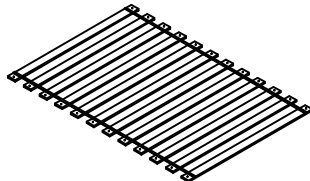
ASSEMBLY INSTRUCTION

HQBED8079-QUEEN








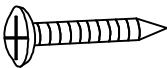
IMPORTANT: PLACE ALL PARTS ON A CLEAN AND SMOOTH SURFACE SUCH AS A RUG OR CARPET TO AVOID THE PARTS FROM BEING SCRATCHED. KINDLY FOLLOW THE ASSEMBLY INSTRUCTIONS STEP BY STEP. DO NOT TIGHTEN ALL SCREWS UNTIL THE BED IS FULLY SET-UP.



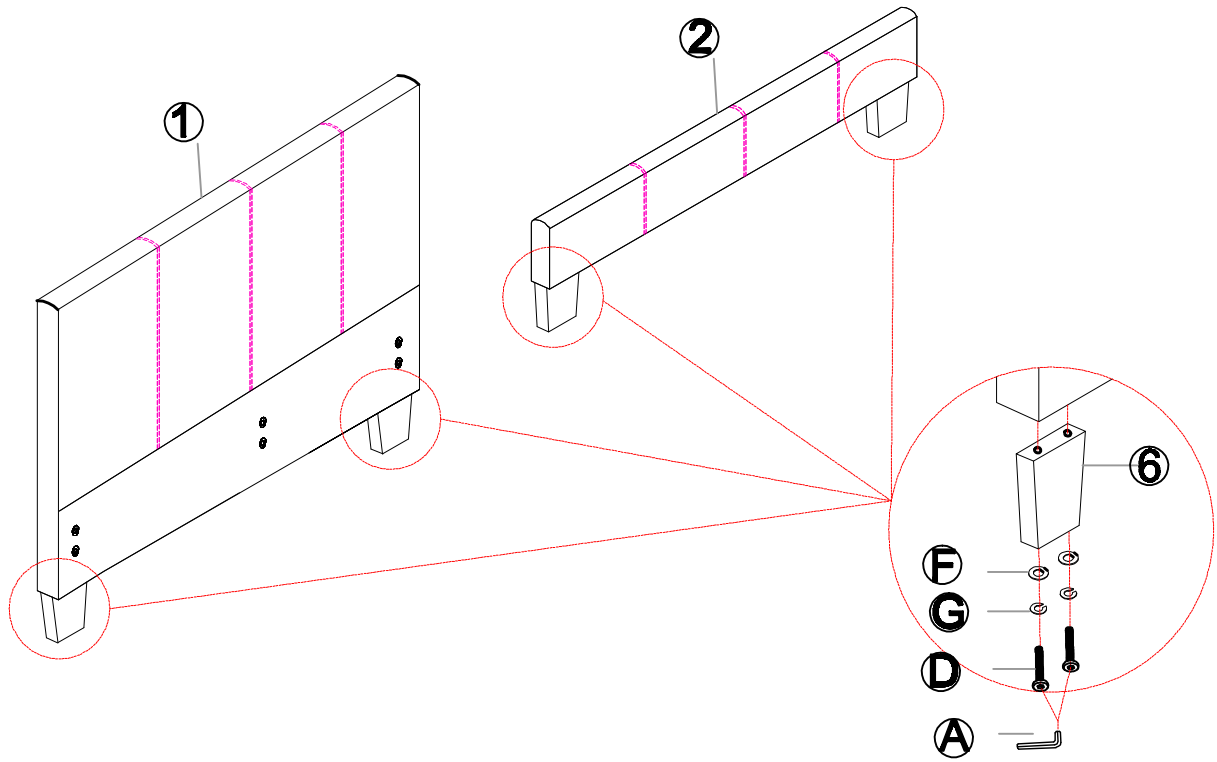
PARTS LIST:

<p>① Headboard=1pc</p> 	<p>② Footboard=1pc</p> 	<p>③ Side Rail=2pcs</p> 	<p>④ Support rail=1pc</p> 
<p>⑤ Support leg=2pcs</p> 	<p>⑥ FB Feet=4pcs</p> 	<p>⑦ Slats=12pcs</p> 	

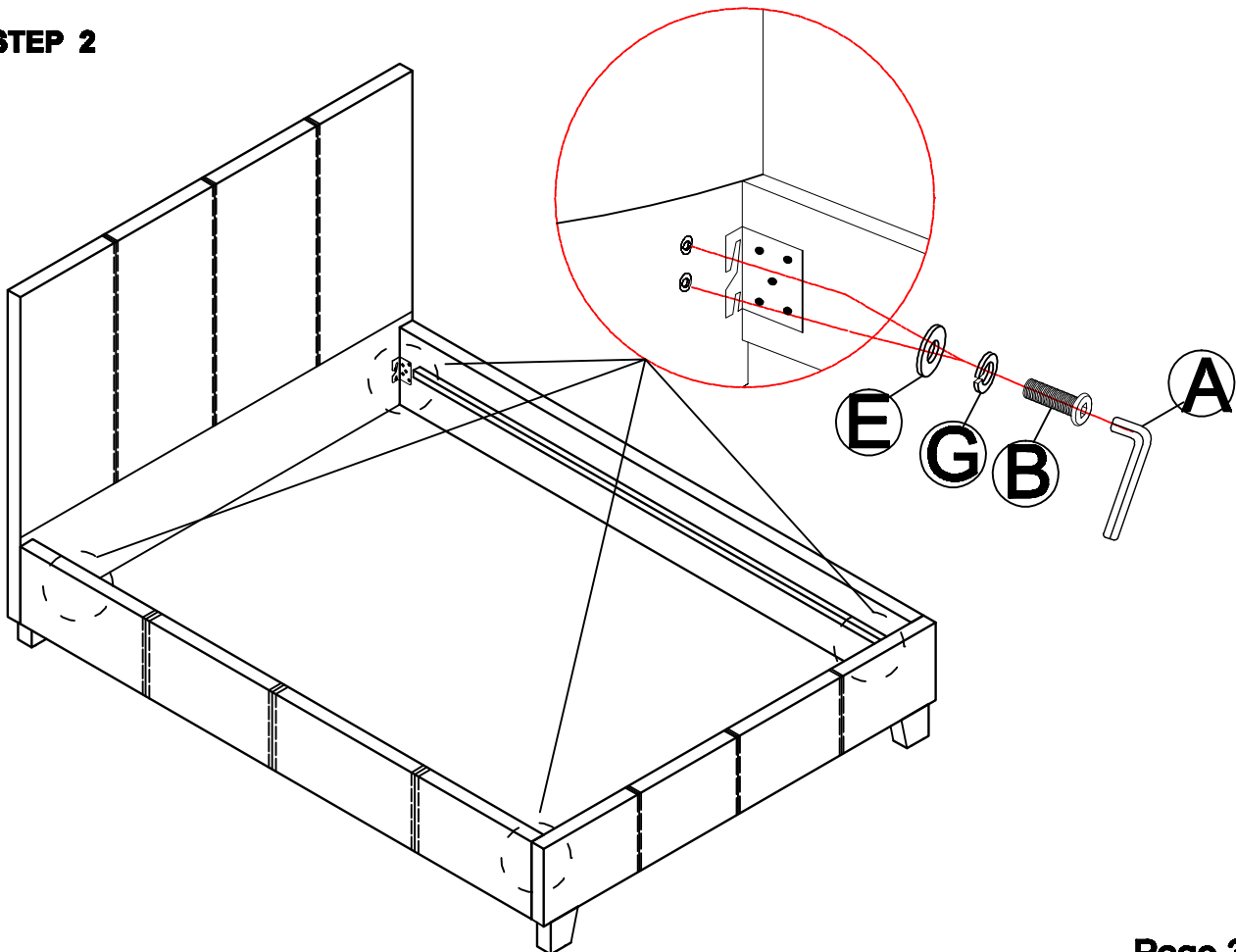
HARDWARE LIST:

<p>Ⓐ Allen Key=1pc</p> 	<p>Ⓑ Bolt $\frac{5}{16}$"x1"=12pcs</p> 	<p>Ⓒ Bolt $\frac{5}{16}$"x1-1/2"=2pcs</p> 	<p>Ⓓ Bolt $\frac{5}{16}$"x3-1/2"=8pcs</p> 
<p>Ⓔ Flat Washer $\frac{5}{16}$"x19=38pcs</p> 	<p>Ⓕ Flat Washer $\frac{5}{16}$"x16=8pcs</p> 	<p>Ⓖ SpringWasher=22pcs</p> 	<p>Ⓗ screw 10mmX1-1/4"=24pcs</p> 

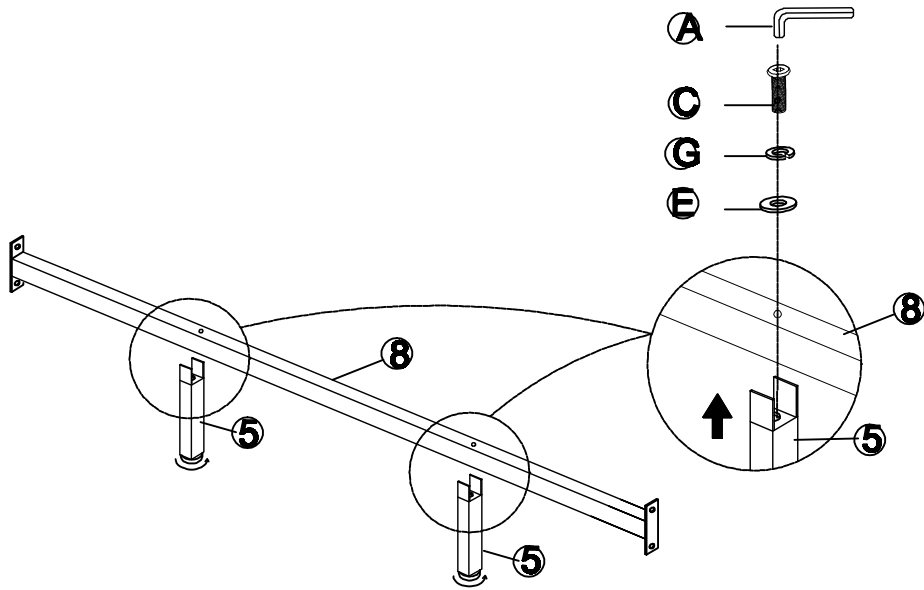
STEP 1



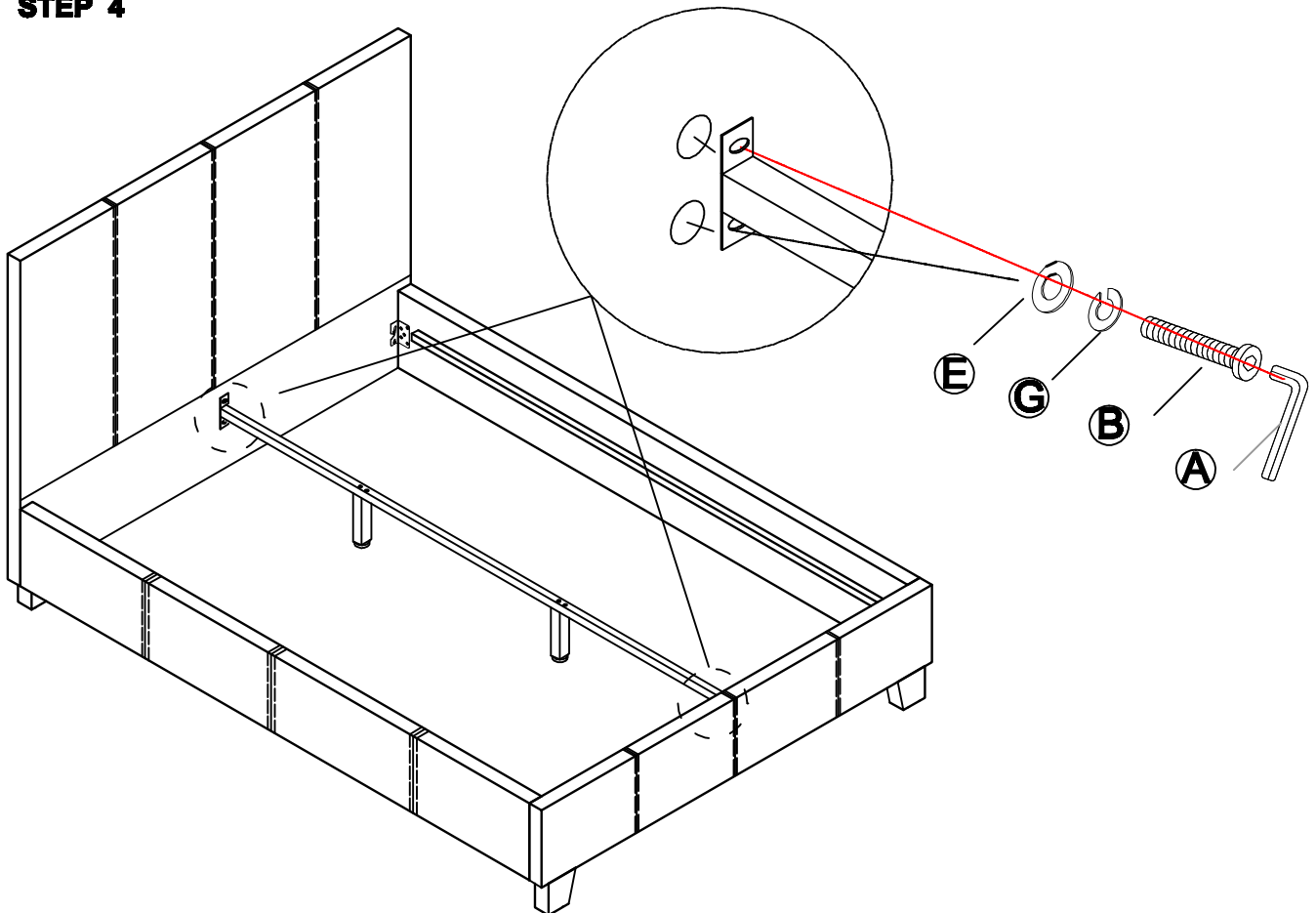
STEP 2



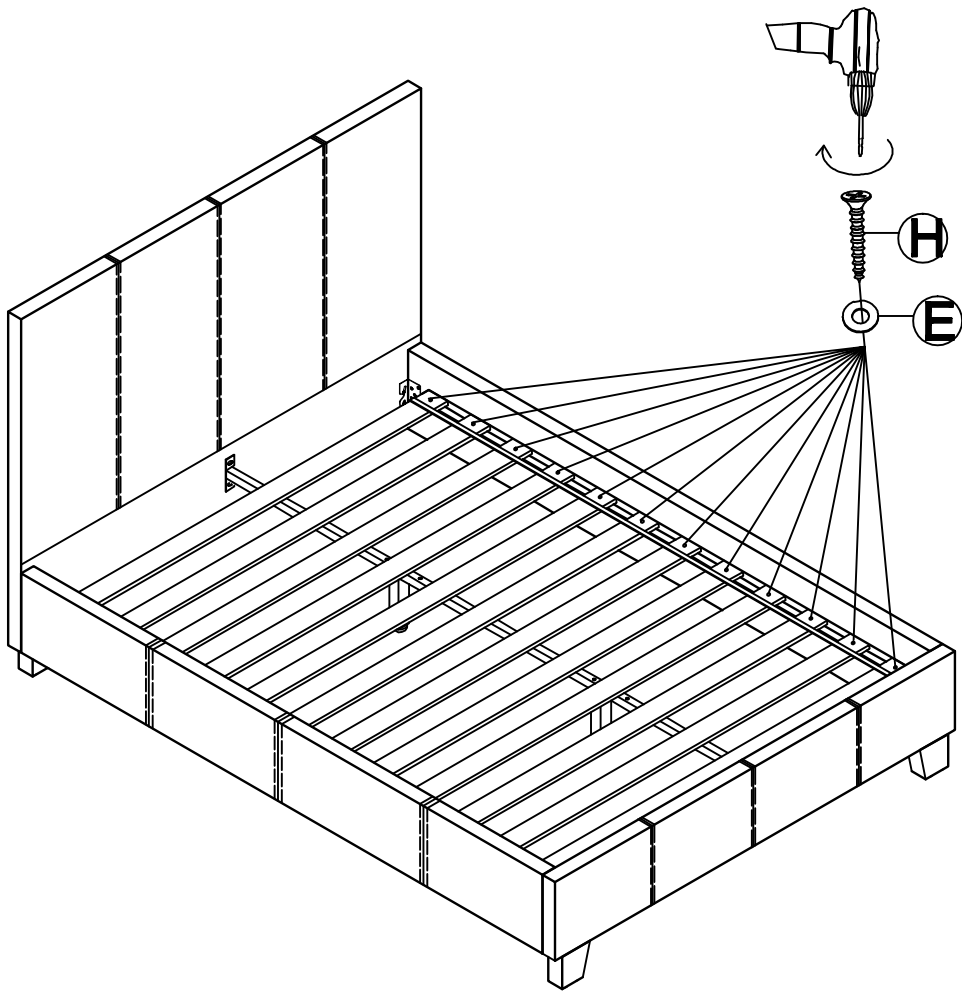
STEP 3



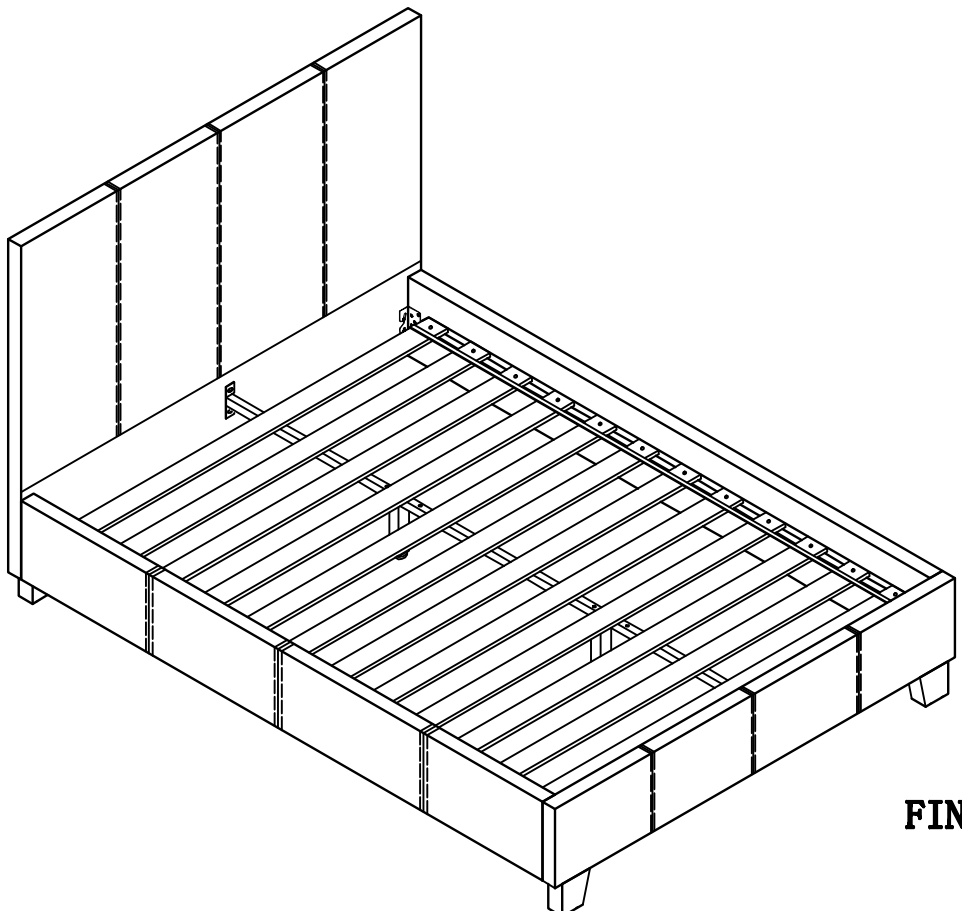
STEP 4



STEP 5



STEP 6



FINAL