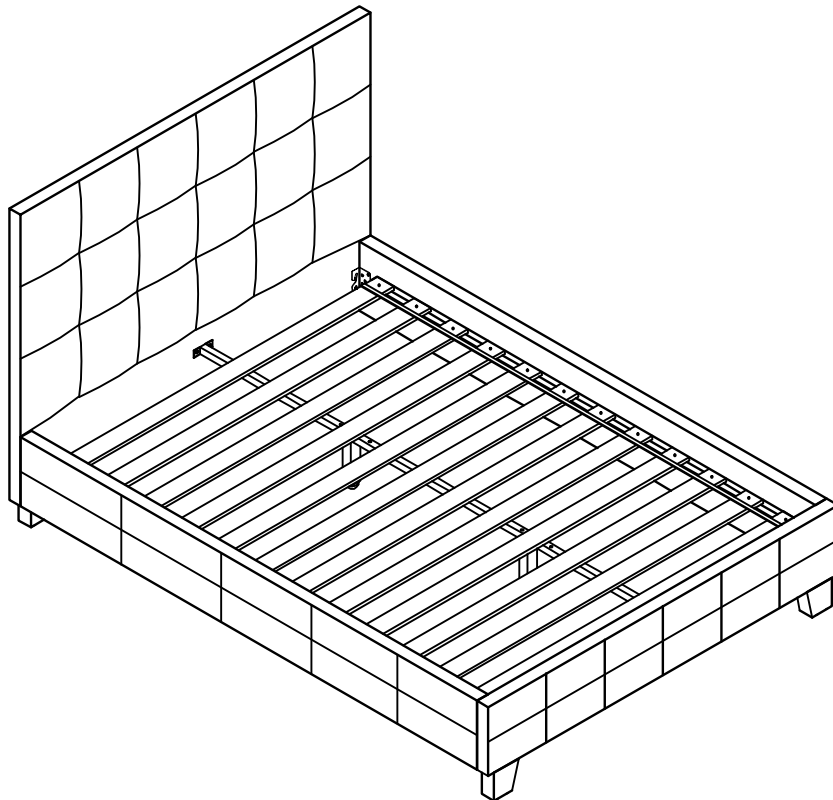


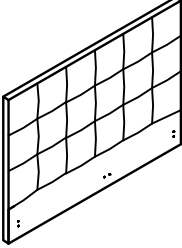
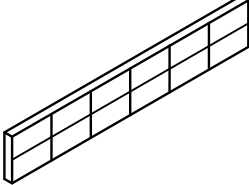
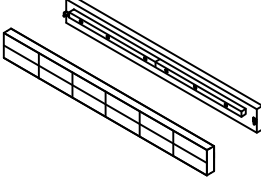
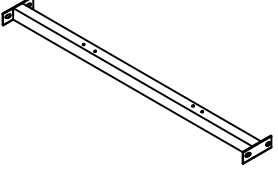
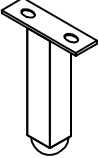
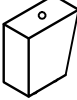
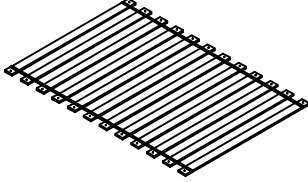
ASSEMBLY INSTRUCTION

HTBED8002-TWIN




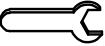



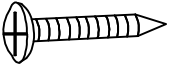
IMPORTANT: PLACE ALL PARTS ON A CLEAN AND SMOOTH SURFACE SUCH AS A RUG OR CARPET TO AVOID THE PARTS FROM BEING SCRATCHED. KINDLY FOLLOW THE ASSEMBLY INSTRUCTIONS STEP BY STEP. DO NOT TIGHTEN ALL SCREWS UNTIL THE BED IS FULLY SET-UP.



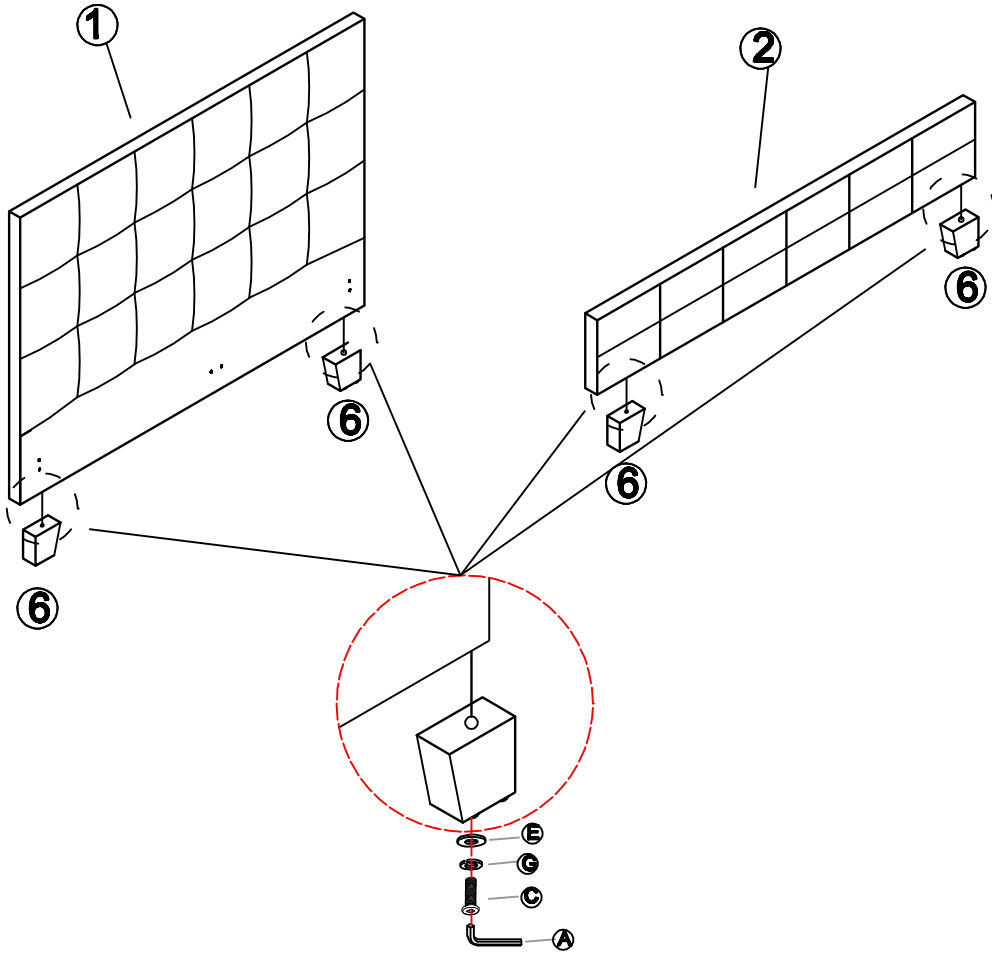
PARTS LIST:

<p>① Headboard=1pc</p> 	<p>② Footboard=1pc</p> 	<p>③ Side Rail=2pcs</p> 	<p>④ Support rail=1pc</p> 
<p>⑤ Support leg=2pcs</p> 	<p>⑥ FB Feet=4pcs</p> 	<p>⑦ Slats=12pcs</p> 	

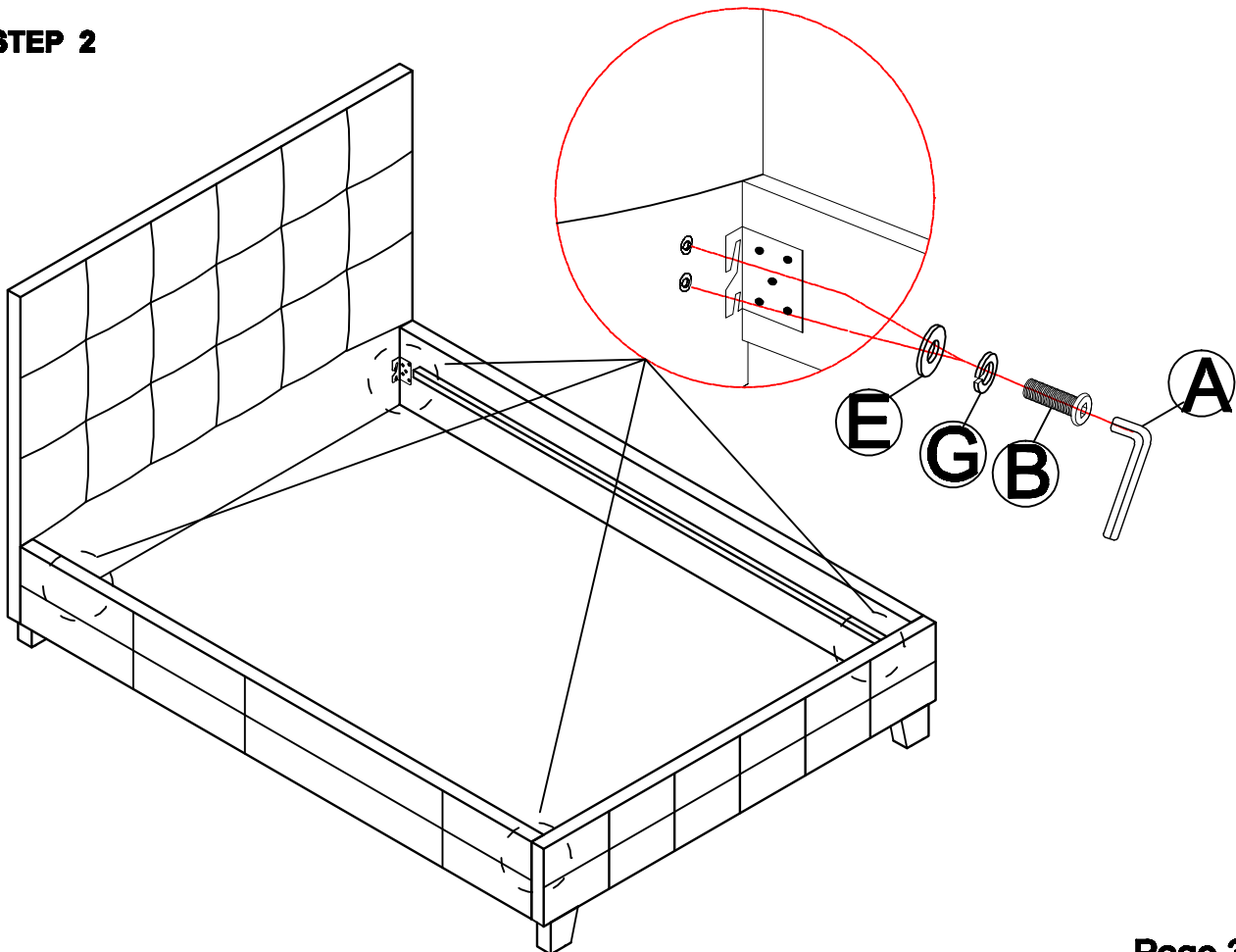
HARDWARE LIST:

<p>Ⓐ Allen Key=1pc</p> 	<p>Ⓑ Bolt $\frac{5}{16}$"x1-1/2"=16pcs</p> 	<p>Ⓒ Bolt $\frac{5}{16}$"x2-1/2"=4pcs</p> 	<p>Ⓓ wrench=1pc</p> 
<p>Ⓔ Flat Washer $\frac{5}{16}$"x19=44pcs</p> 	<p>Ⓕ Nut=4pcs</p> 	<p>Ⓖ SpringWasher=20pcs</p> 	<p>Ⓗ screw 10mmX1-1/4" =24pcs</p> 

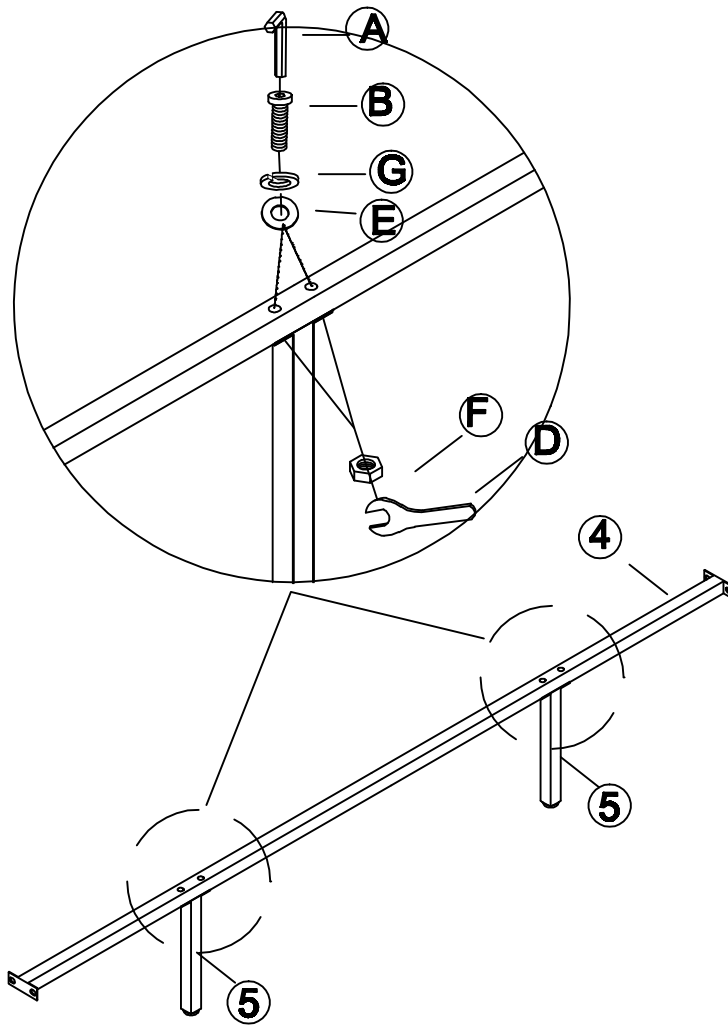
STEP 1



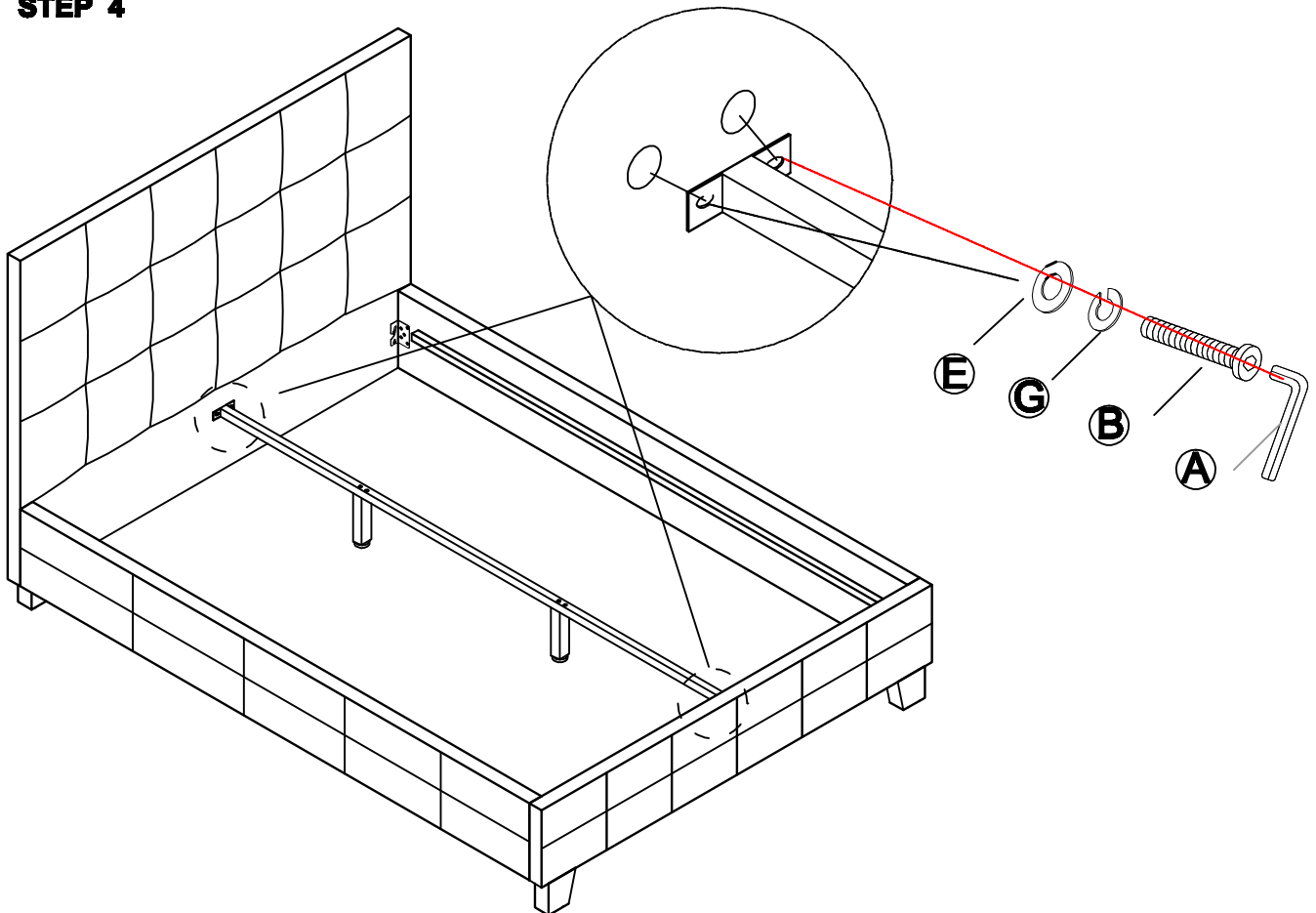
STEP 2



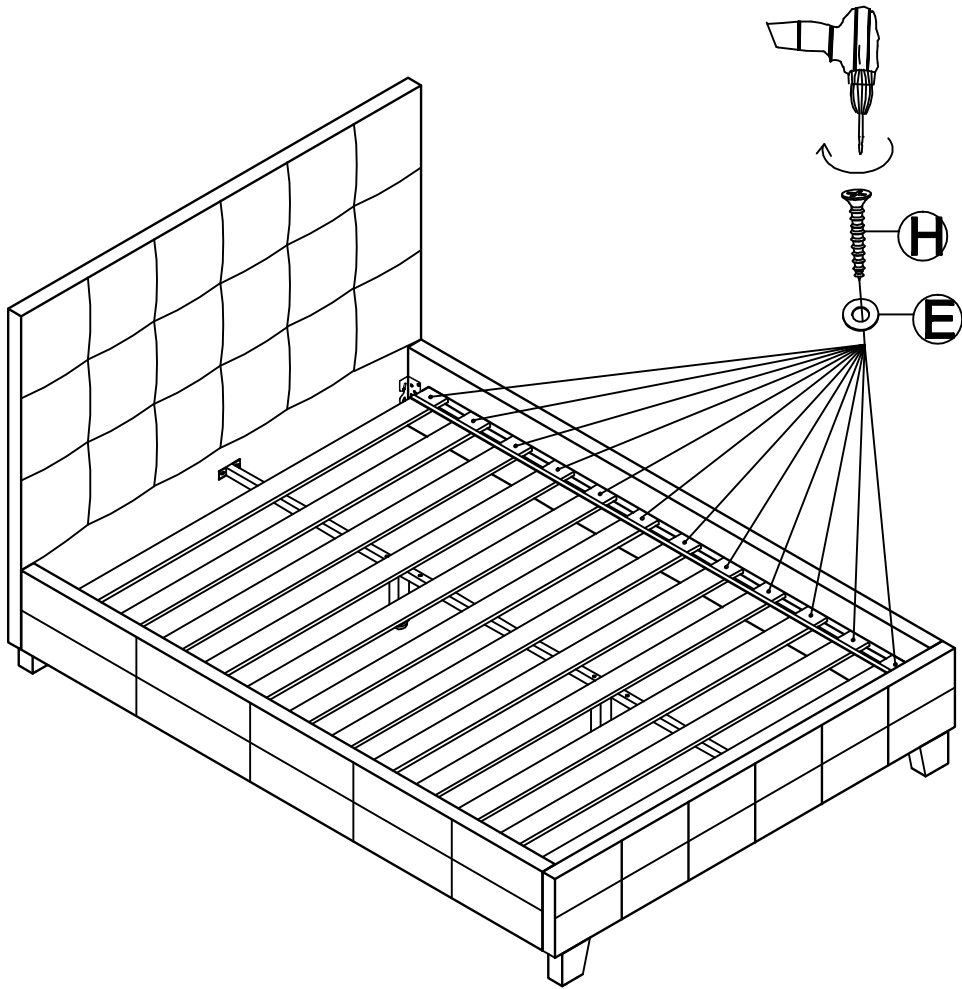
STEP 3



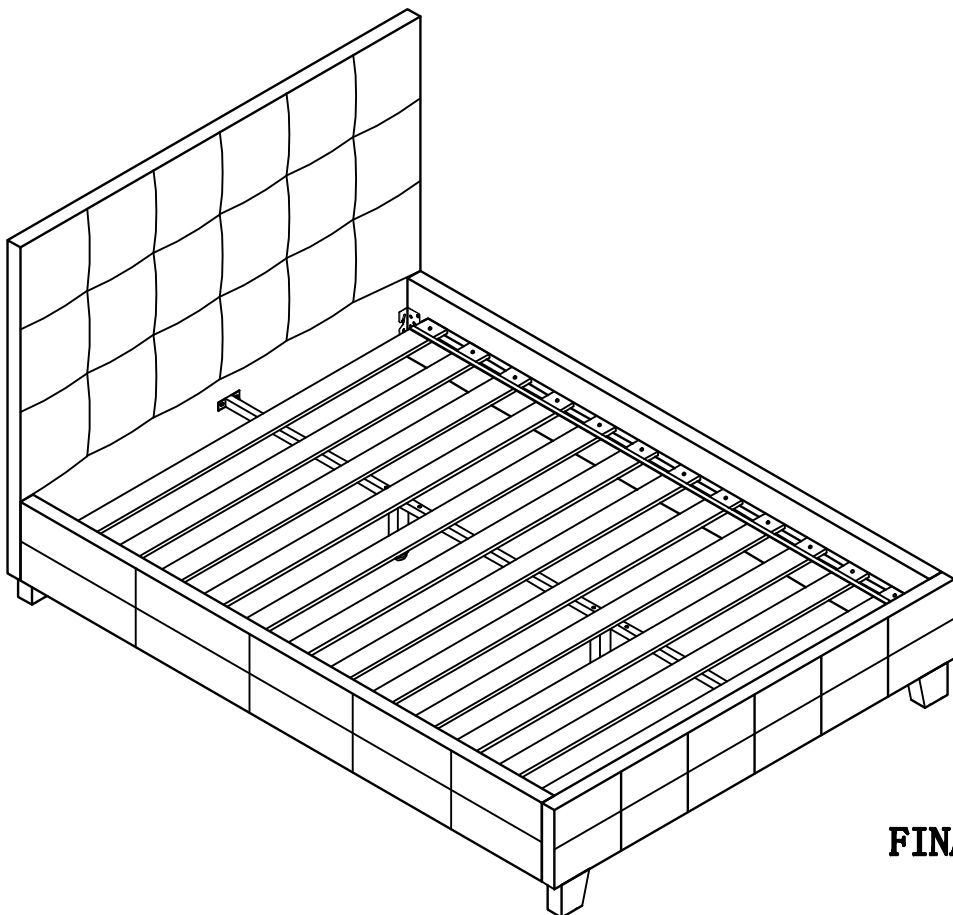
STEP 4



STEP 5



STEP 6



FINAL