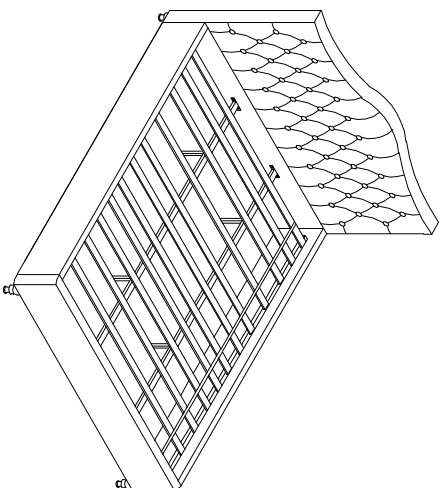


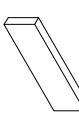

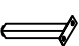
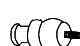



# ASSEMBLY INSTRUCTIONS









## ITEM NO: BED828-KING



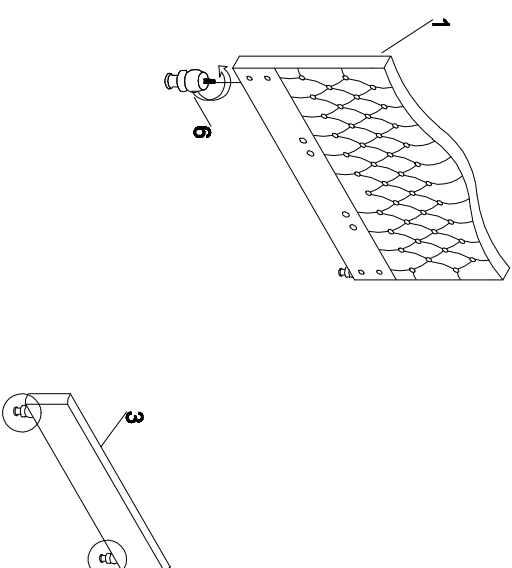
### PARTS LIST

<b>1</b> Headboard 1 pc 	<b>2</b> Side rail 2PCS 	<b>3</b> Footboard 1PC 	<b>4</b> Center bar 2PCS 	<b>5</b> Supporting leg 4PCS 
<b>6</b> Wood leg 4 PCS 	<b>7</b> Slats 1PC 			

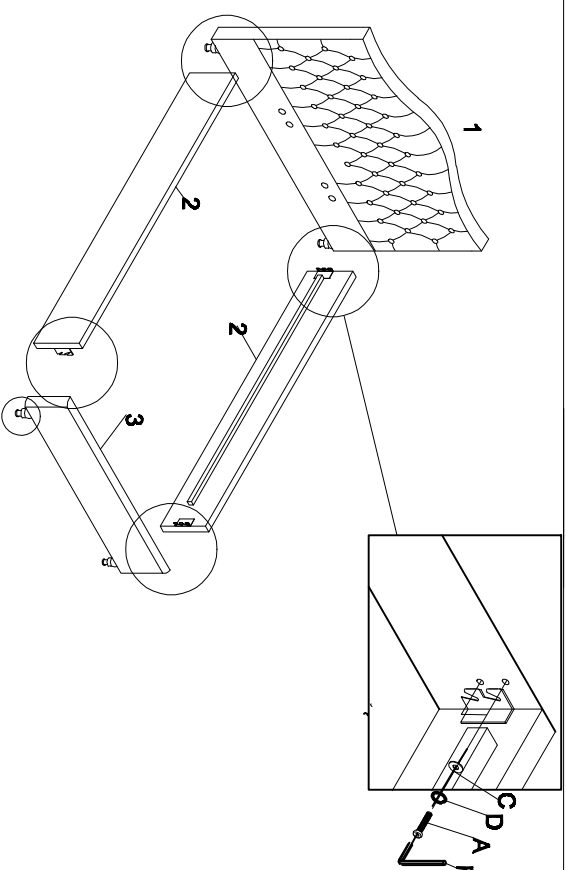
### HARDWARE LIST

<b>A</b> 5/16" * 1-1/2" 24 PCS 	<b>B</b> 5/16" * 12mm 8 PCS 	<b>C</b> 24 PCS 	<b>D</b> 24 PCS 	<b>E</b> Box wrench 1PC 
<b>F</b> Allen wrench 1PC 	<b>G</b> Driver 24PCS 	<b>H</b> Scaw driver 1PC 		

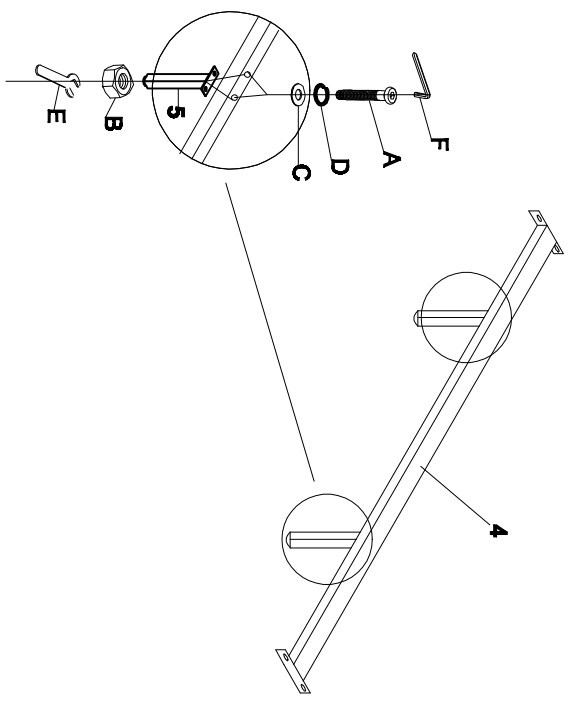
Step:1



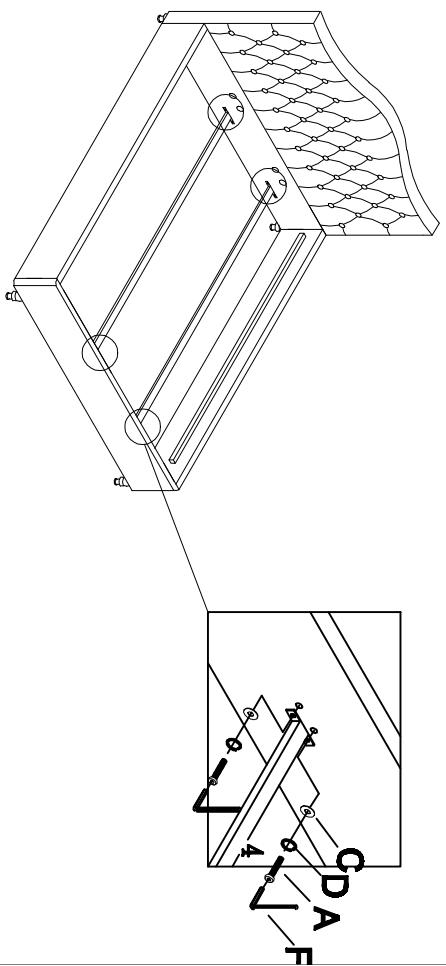
Step:2



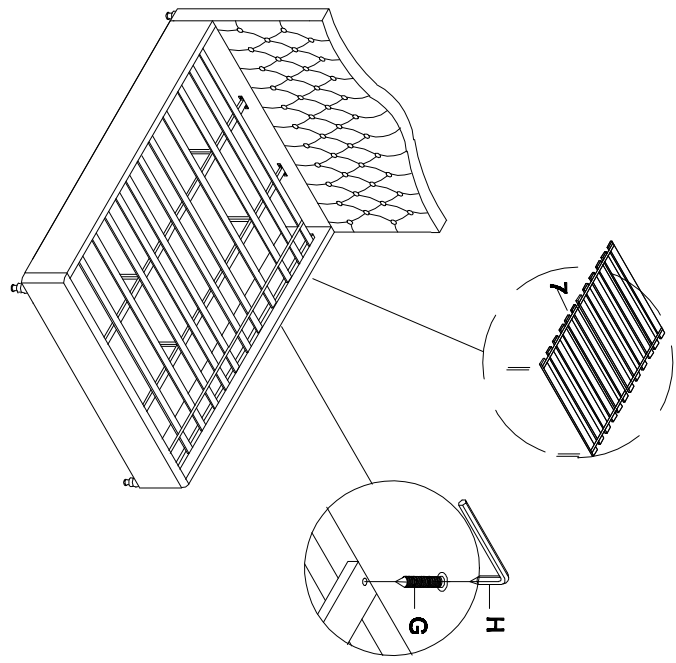
Step:3



Step:4



Step:5



Step:6

