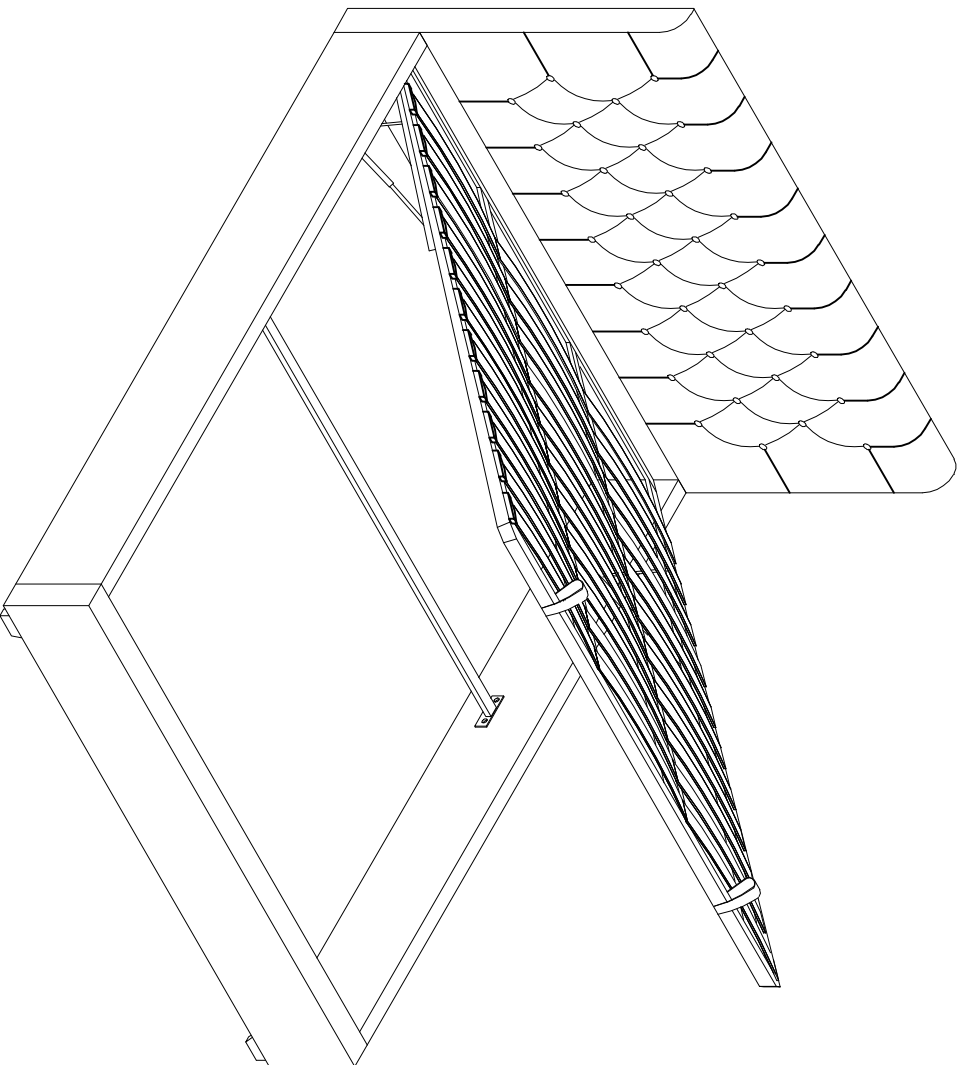


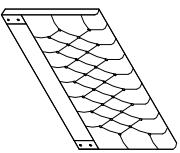
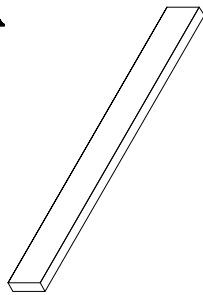
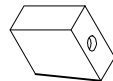
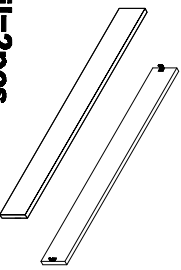
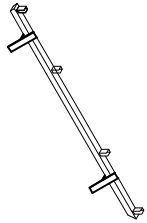
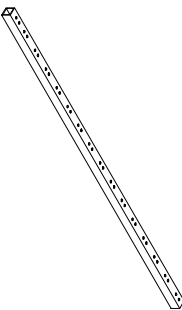
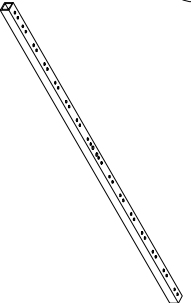
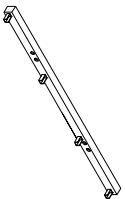
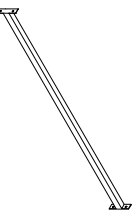
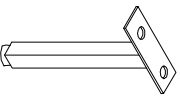
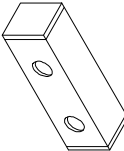
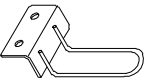
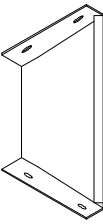
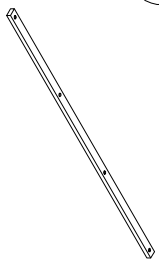

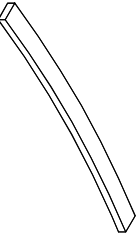
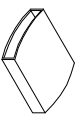
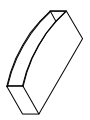
Assembly Instruction

ITEM NO.: BED1974-KING





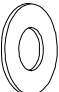






IMPORTANT: PLACE ALL PARTS ON A CLEAN AND SMOOTH SURFACE SUCH AS A RUG OR CARPETTO AVOID THE PARTS FROM BEING SCRATCHED KINDLY FOLLOW THE ASSEMBLY INSTRUCTIONS STEP DO NOT TIGHTEN ALL SCREWS UNTIL THE BED IS FULLY SET-UP

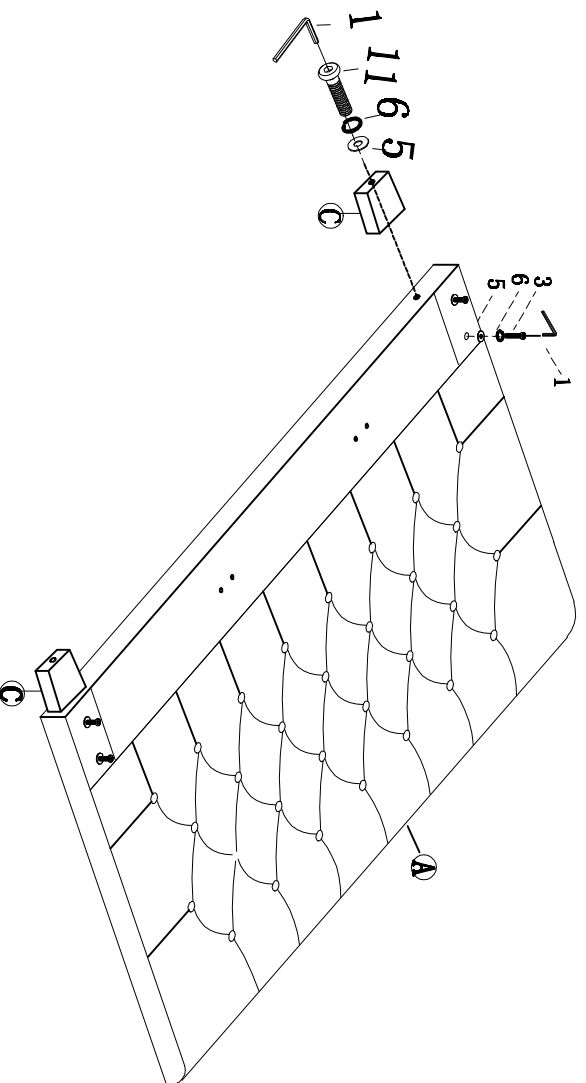


PARTS LIST:

<p>A</p>  <p>Headboard=1pc</p>	<p>B</p>  <p>Footboard=1pc</p>	<p>C</p>  <p>LEG = 4PCS</p>
<p>D</p>  <p>Siderail=2pcs</p>	<p>E</p>  <p>Support block on footboard=1PC</p>	<p>F</p>  <p>Metal side support rail=2PCS</p>
<p>G</p>  <p>Centre rail=2PCS</p>	<p>H</p>  <p>Support block on headboard=1PC</p>	<p>I</p>  <p>Metal Centre cross rail=1PC</p>
<p>J</p>  <p>Centre support leg=2PCS</p>	<p>K</p>  <p>Buse support=4PCS</p>	<p>L</p>  <p>Metal block=2PCS</p>
<p>M</p>  <p>Metal corner block=2PCS</p>	<p>N</p>  <p>Metal Centre cross rail=1PC</p>	<p>O</p>  <p>Non-woven fabric=1PC</p>
<p>P</p>  <p>Slat=36PCS</p>	<p>Q</p>  <p>Center plastic connector=24PCS</p>	<p>R</p>  <p>End cap=24PCS</p>

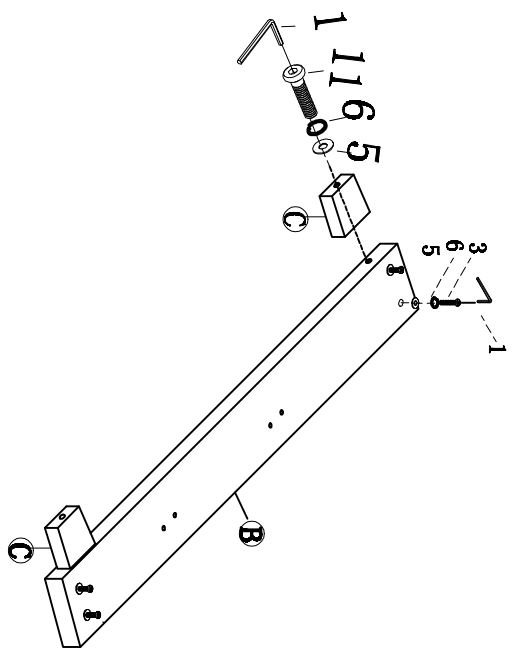
HARDWARE LIST:

<p>1 Allen Key $\varnothing 5/16"$=1pc</p> 	<p>2 Bolt $\varnothing 5/16" \times 3/4"$ L=28pcs</p> 	<p>3 Bolt $\varnothing 5/16" \times 1-1/2"$ L= 8 pcs</p> 
<p>4 Bolt $\varnothing 5/16" \times 2"$ L=16pcs</p> 	<p>5 Flat Washer $\varnothing 5/16" \times \varnothing 19mm$=66pcs</p> 	<p>6 Spring Washer=66pcs</p> 
<p>7 Nut=9pcs</p> 	<p>8 Wrench=1pc</p> 	<p>9 Nut=2pcs</p> 
<p>10 Bolt $\varnothing 5/16" \times 1"$ L=10 pcs</p> 	<p>11 Bolt $\varnothing 5/16" \times 3/4"$ L=4pcs</p> 	

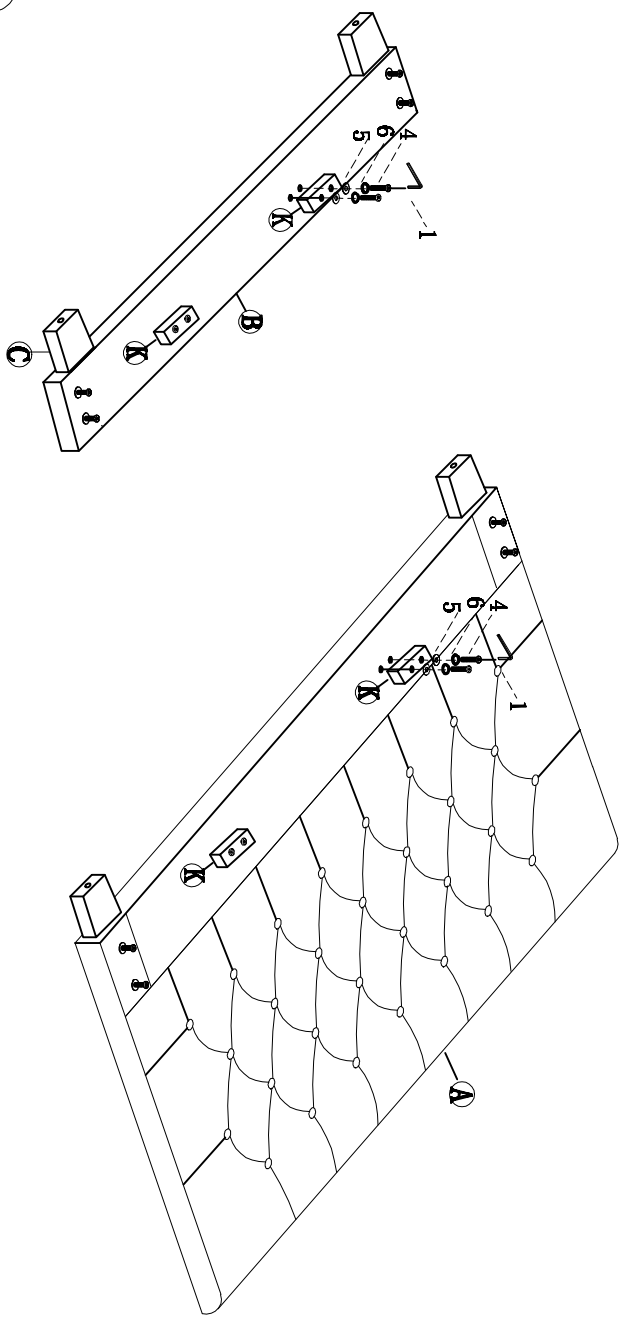


step 1

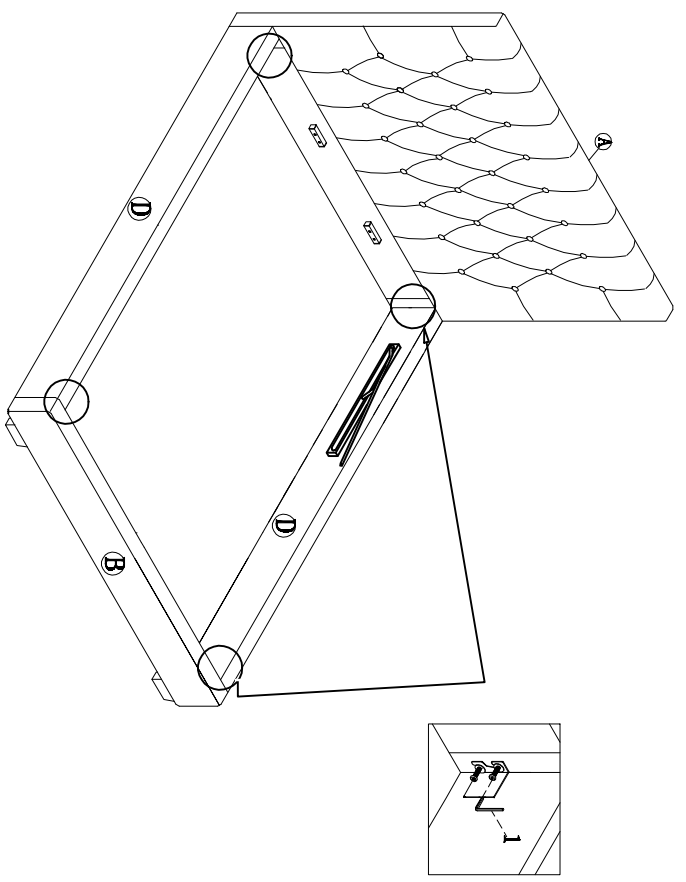
step 2



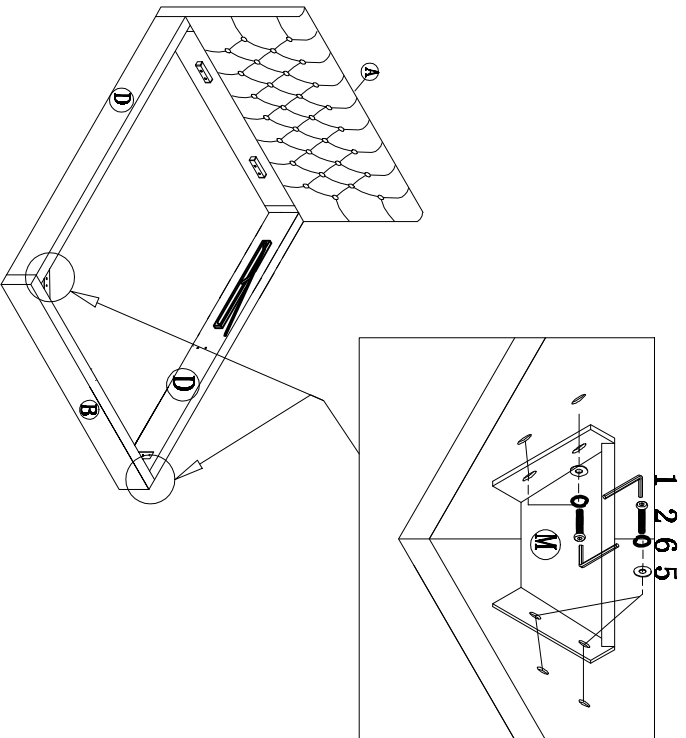
step 3



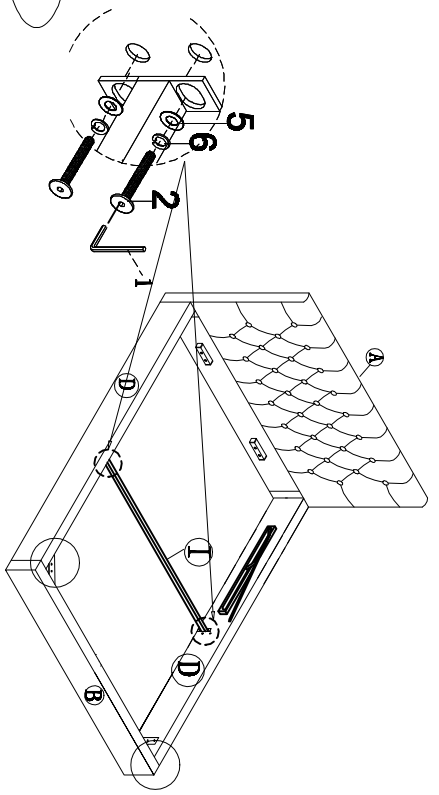
step 4



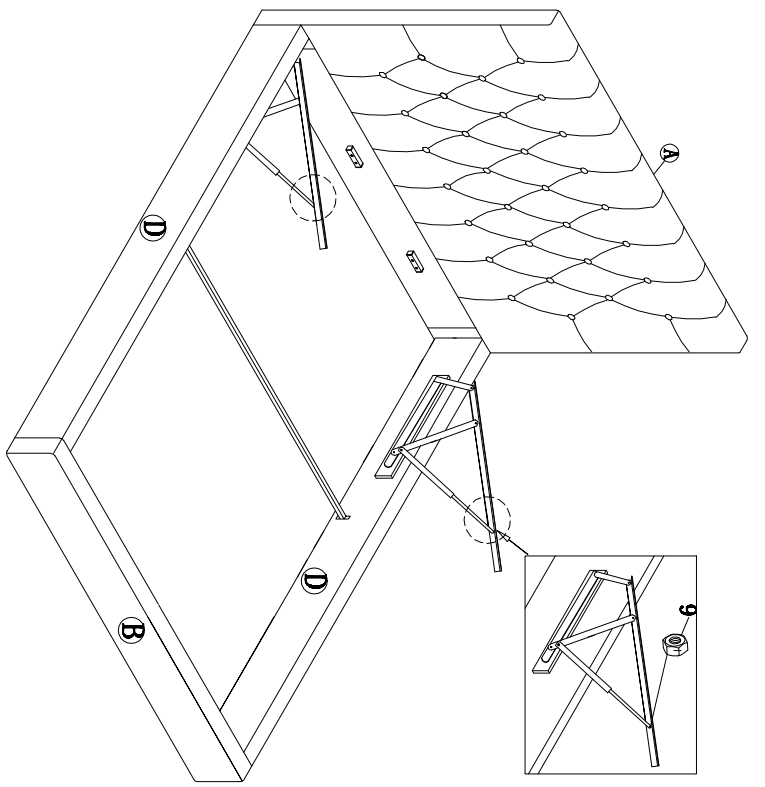
step 5

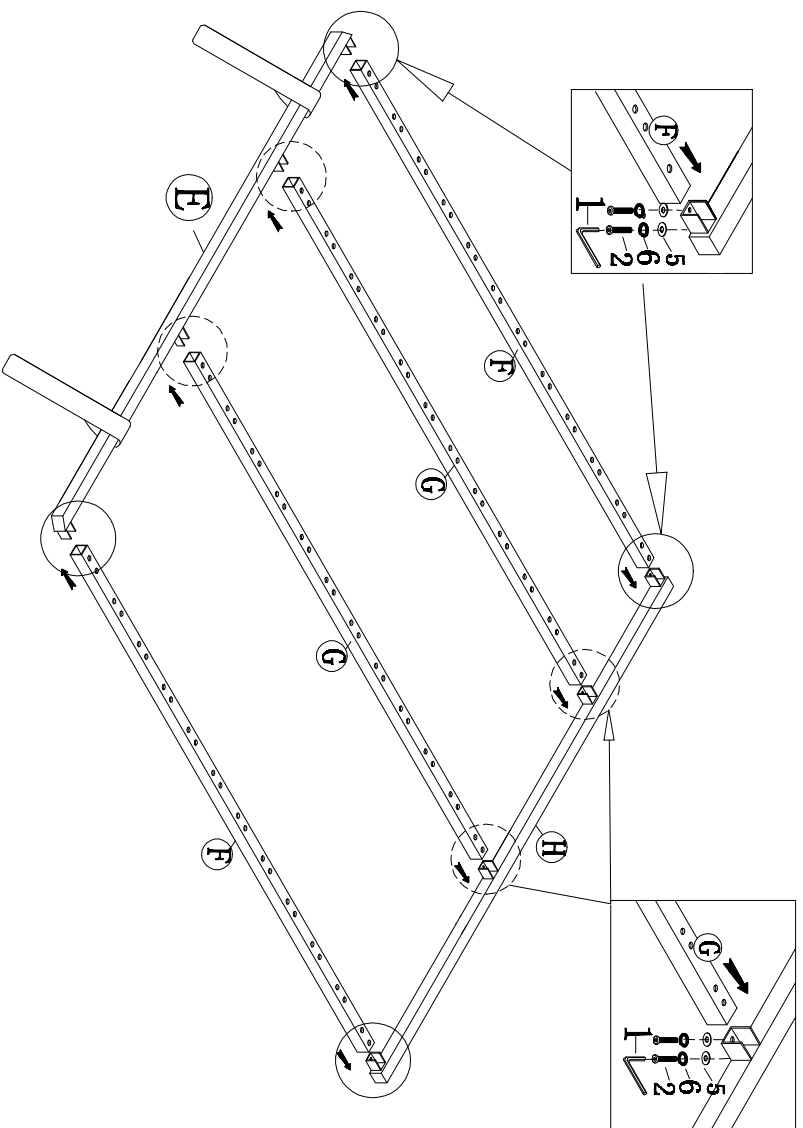


step 6

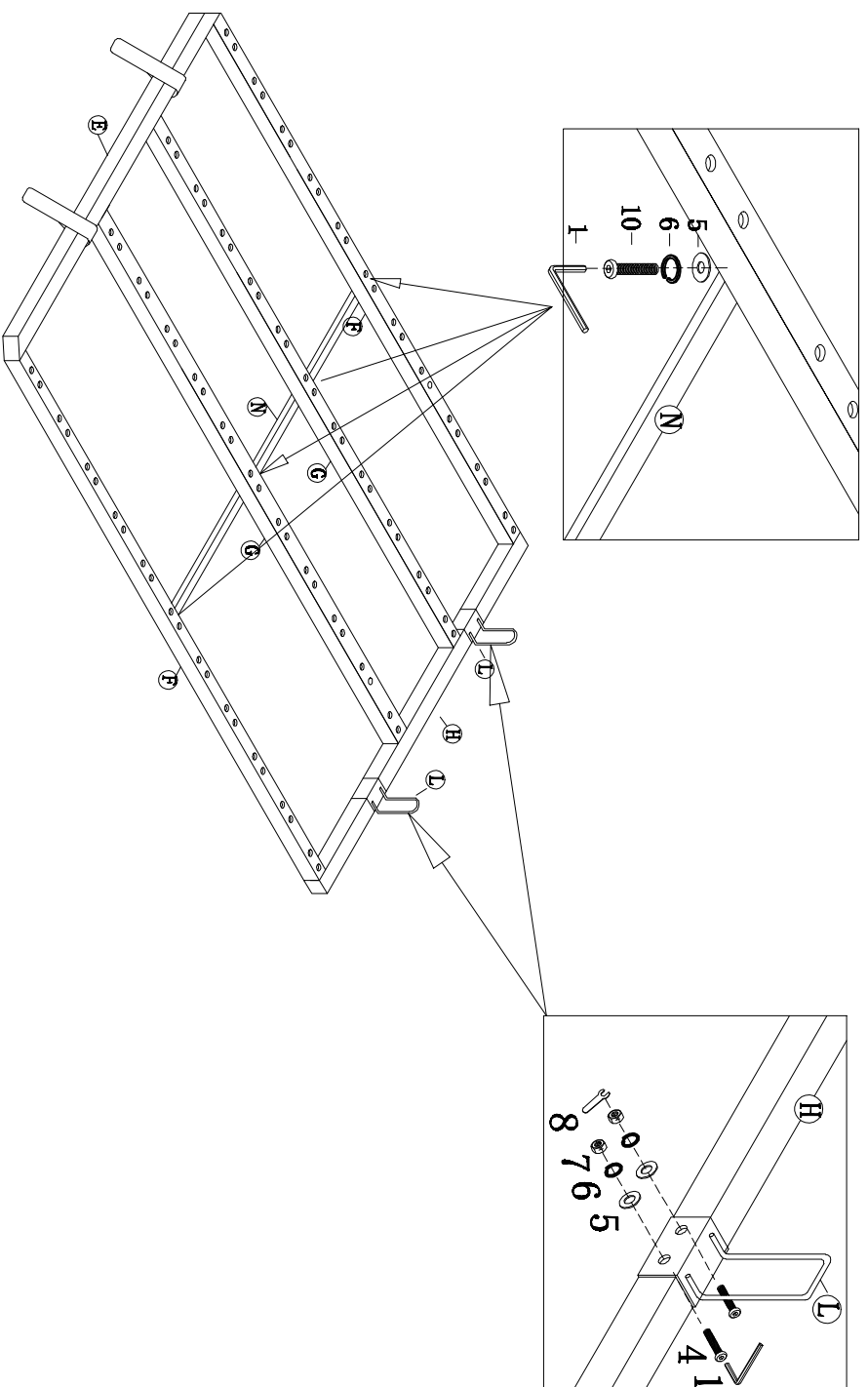


step 7



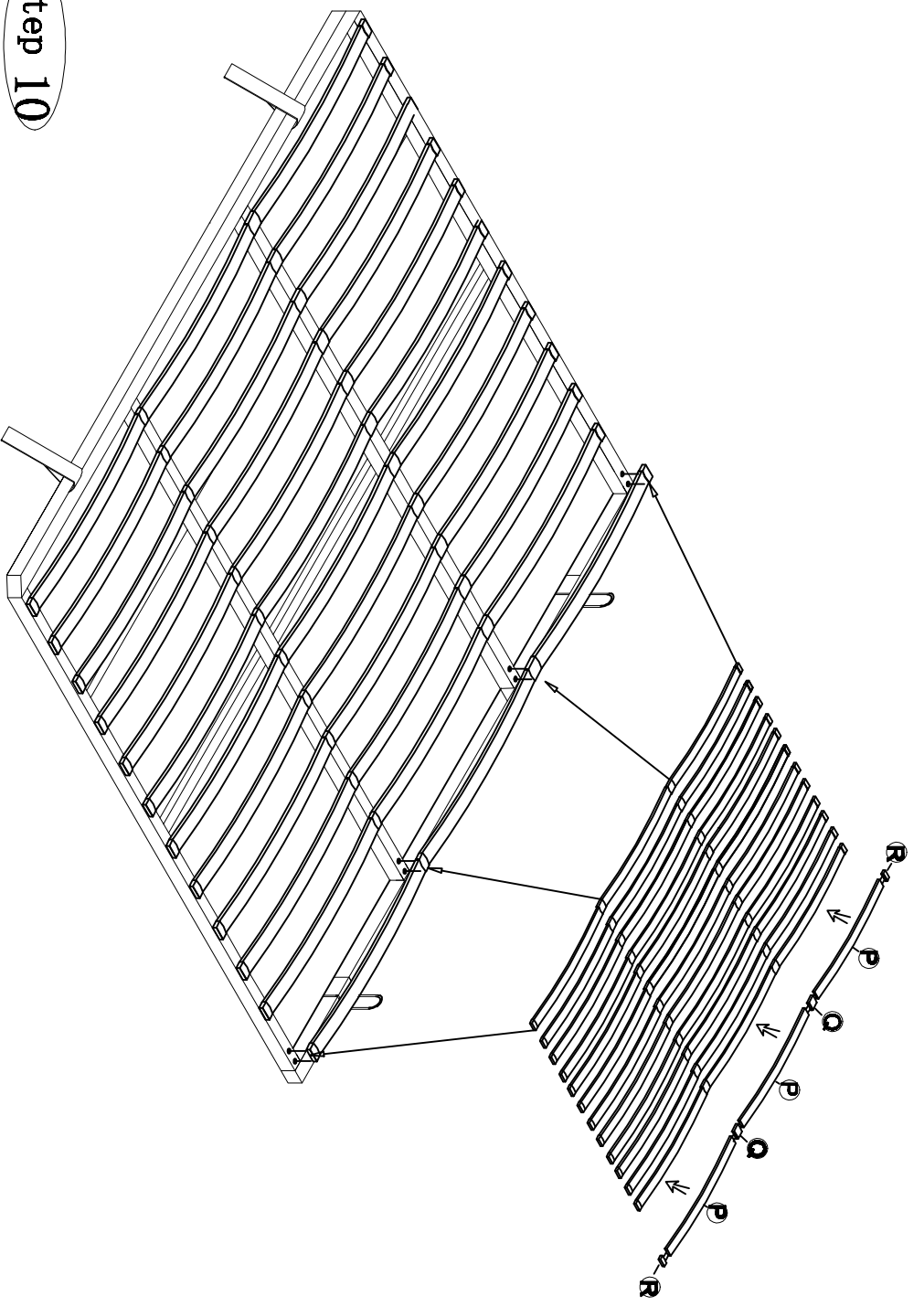


step 8

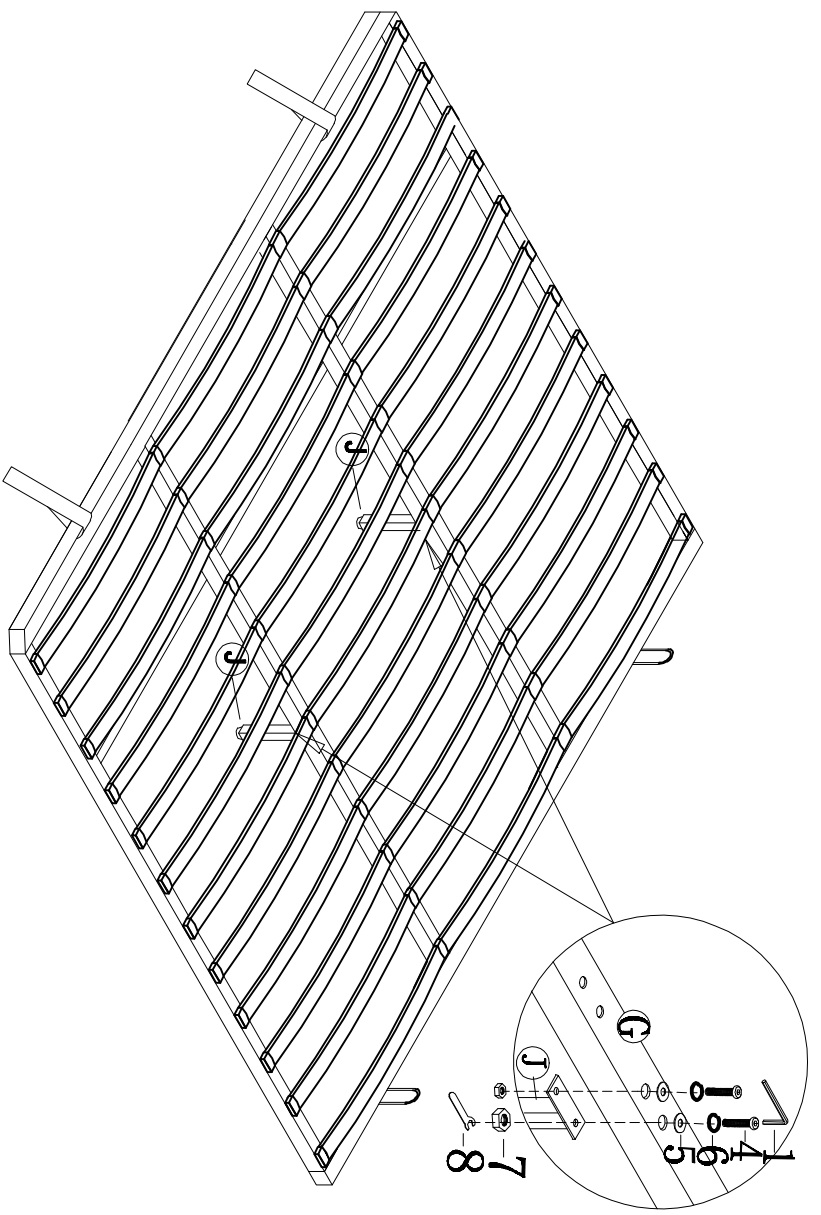


step 9

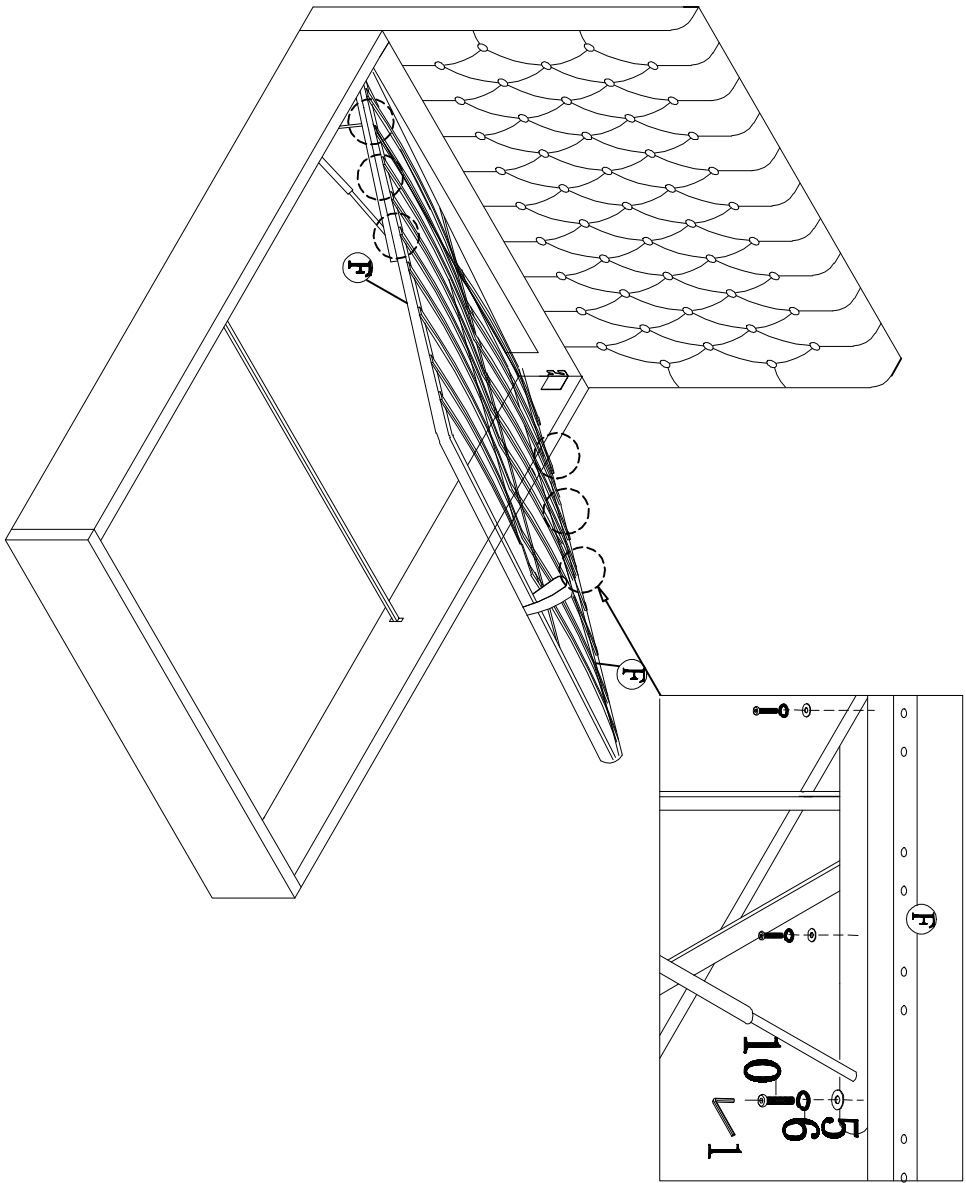
step 10



step 11



step 12



step 13

