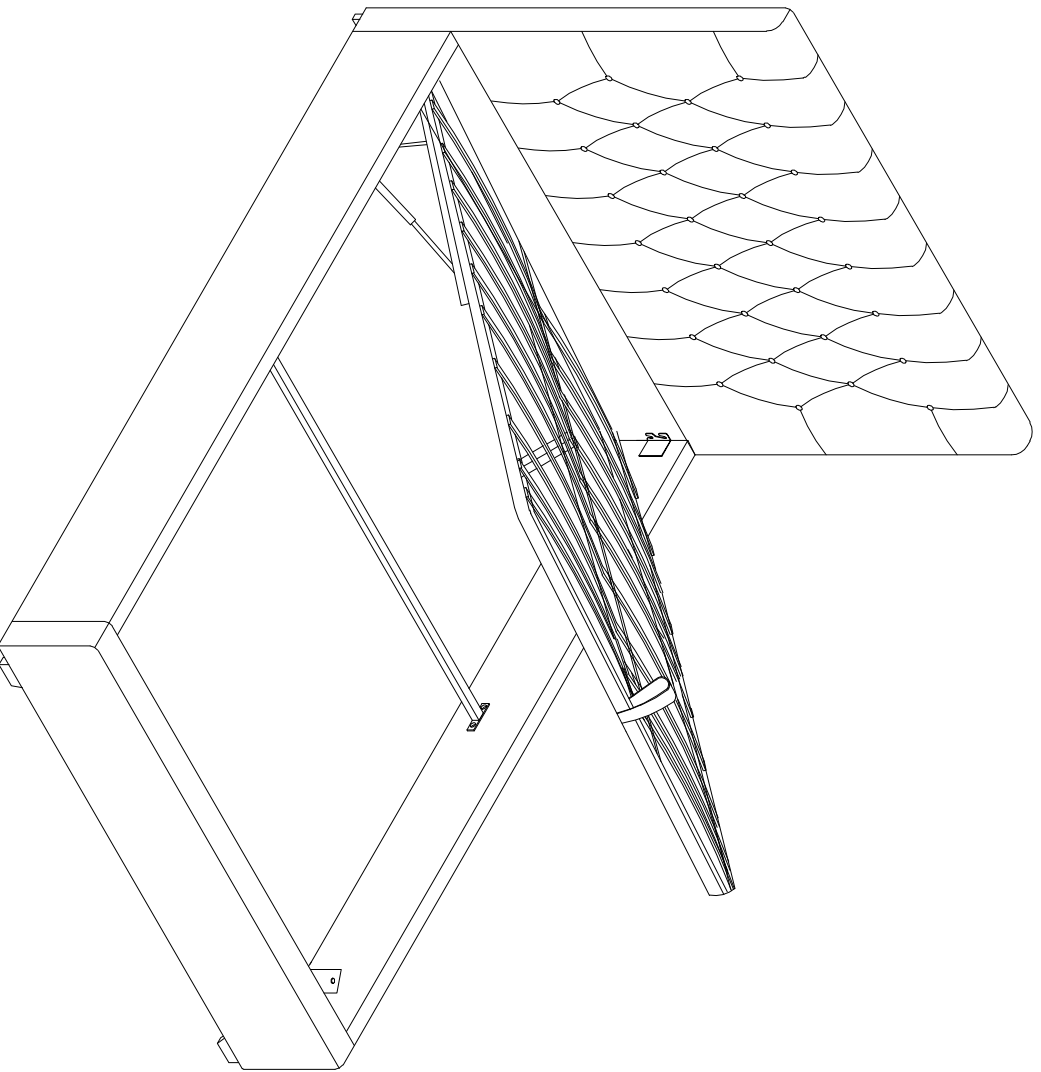


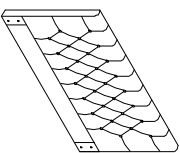
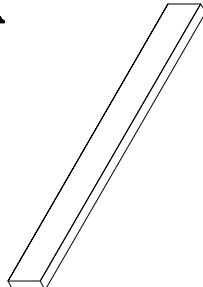
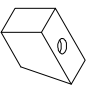
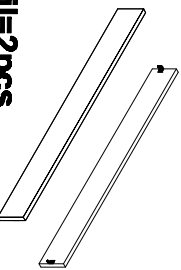
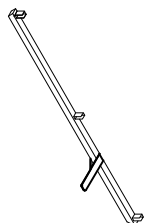
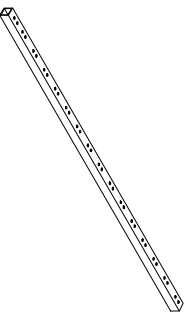
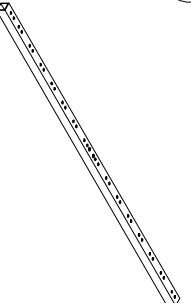
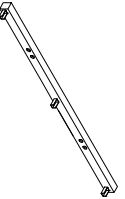
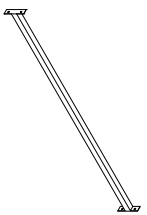
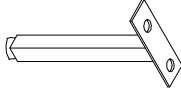
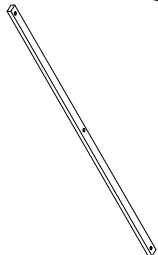

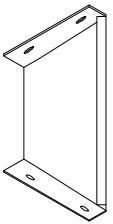
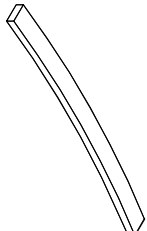
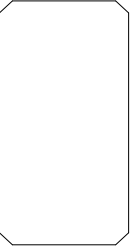
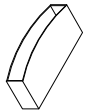
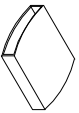
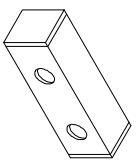
Assembly Instruction

ITEM NO.: BED1974 - QUEEN/FULL












IMPORTANT: PLACE ALL PARTS ON A CLEAN AND SMOOTH SURFACE SUCH AS A RUG OR CARPETTO AVOID THE PARTS FROM BEING SCRATCHED KINDLY FOLLOW THE ASSEMBLY INSTRUCTIONS STEP DO NOT TIGHTEN ALL SCREWS UNTIL THE BED IS FULLY SET-UP

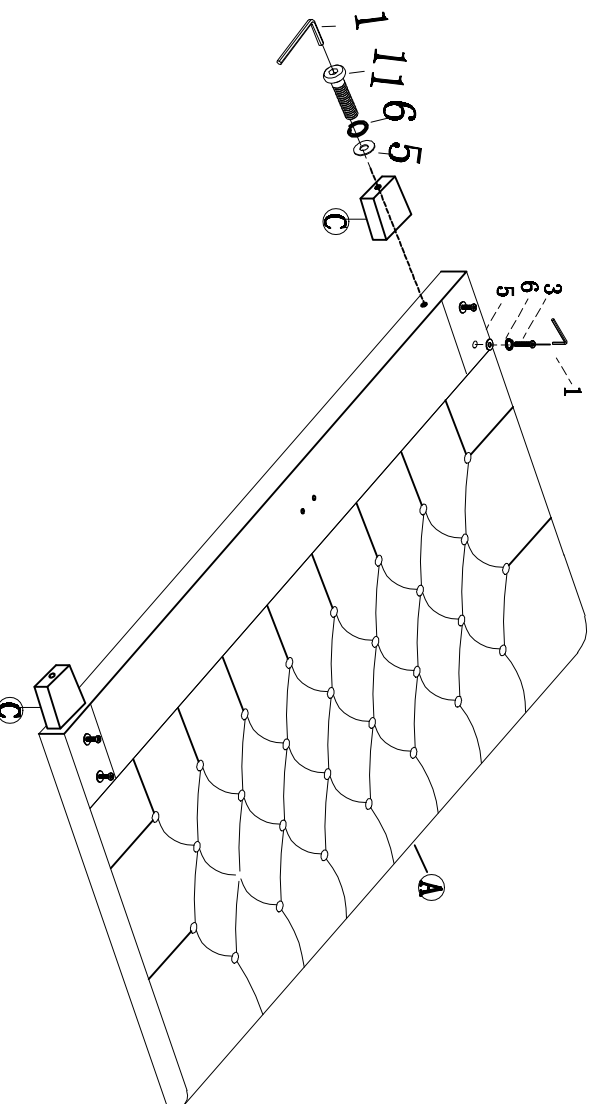


PARTS LIST:

<p>(A)</p>  <p>Headboard=1pc</p>	<p>(B)</p>  <p>Footboard=1pc</p>	<p>(C)</p>  <p>LEG = 4PCS</p>
<p>(D)</p>  <p>Siderail=2pcs</p>	<p>(E)</p>  <p>Support block on footboard=1PC</p>	<p>(F)</p>  <p>Metal side support rail=2PCS</p>
<p>(G)</p>  <p>Centre rail=1PC</p>	<p>(H)</p>  <p>Support block on headboard=1PC</p>	<p>(I)</p>  <p>Metal Centre cross rail=1PC</p>
<p>(J)</p>  <p>Centre support leg=1PC</p>	<p>(K)</p>  <p>Metal Centre cross rail=1PC</p>	<p>(L)</p>  <p>Metal block=2PCS</p>
<p>(M)</p>  <p>Metal corner block=2PCS</p>	<p>(N)</p>  <p>slat=24PCS</p>	<p>(O)</p>  <p>Non-woven fabric=1PC</p>
<p>(P)</p>  <p>End cap=24PCS</p>	<p>(Q)</p>  <p>Center plastic connector=12PCS</p>	<p>(R)</p>  <p>Buse support=2PCS</p>

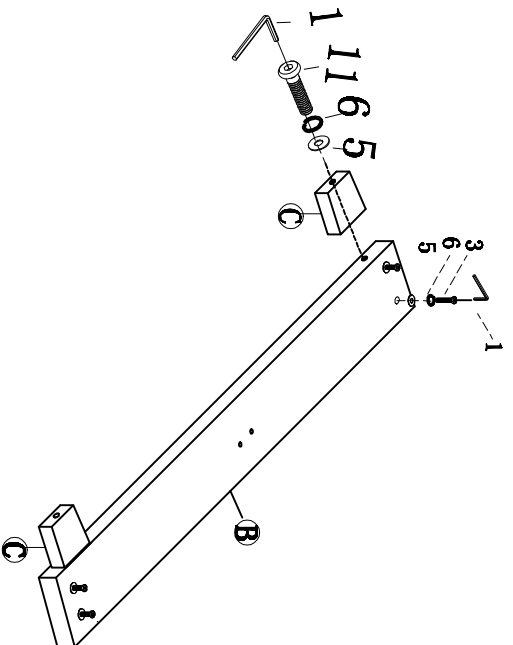
HARDWARE LIST:

<p>1 Allen Key $\varnothing 5/16"$ = 1pc</p> 	<p>2 Bolt $\varnothing 5/16" \times 3/4"$ = 24 pcs</p> 	<p>3 Bolt $\varnothing 5/16" \times 1-1/2"$ = 8 pcs</p> 
<p>4 Bolt $\varnothing 5/16" \times 2"$ = 10 pcs</p> 	<p>5 Flat Washer $\varnothing 5/16" \times \varnothing 19\text{mm}$ = 5 pcs</p> 	<p>6 Spring Washer = 5 pcs</p> 
<p>7 Nut = 6 pcs</p> 	<p>8 Wrench = 1 pc</p> 	<p>9 Nut = 2 pcs</p> 
<p>10 Bolt $\varnothing 5/16" \times 1"$ = 8 pcs</p> 	<p>11 Bolt $\varnothing 5/16" \times 3/1"$ = 4 pcs</p> 	

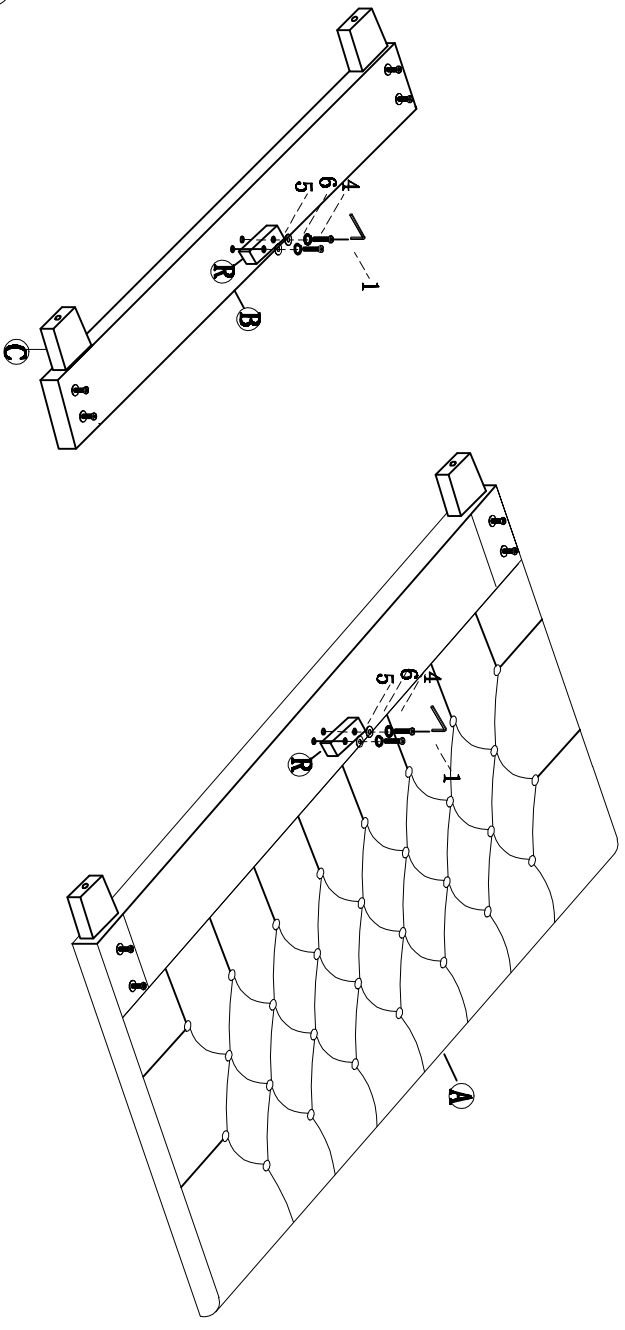


step 1

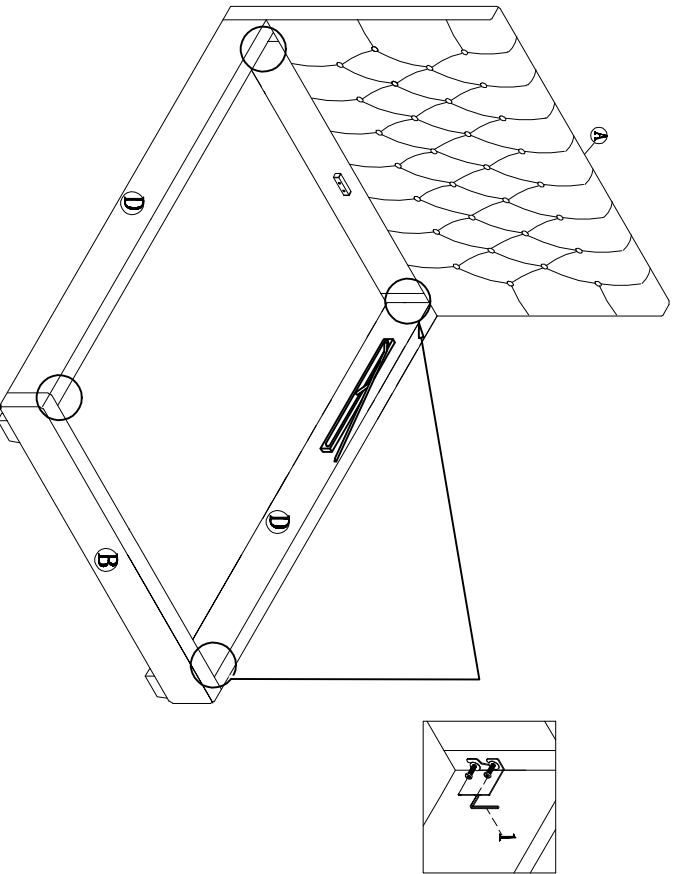
step 2



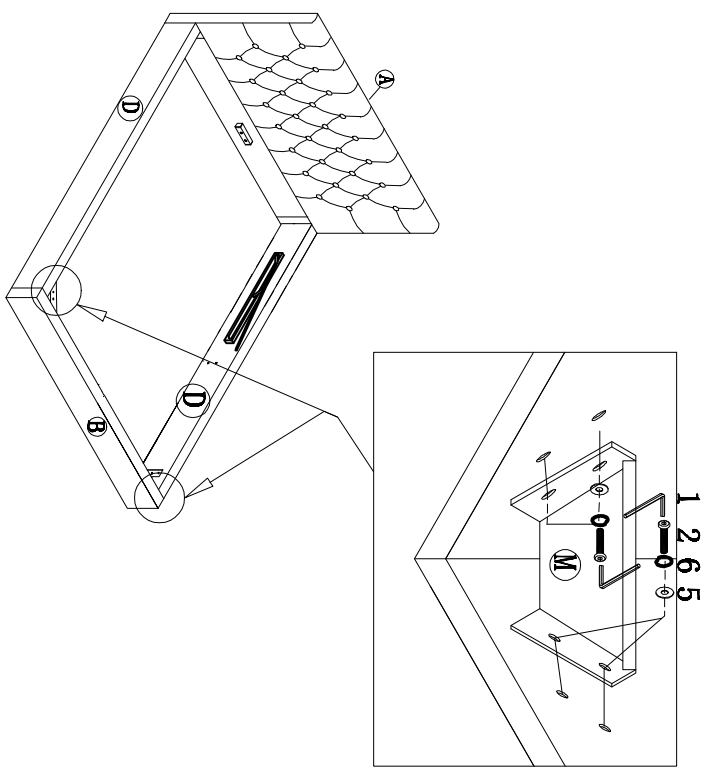
step 3



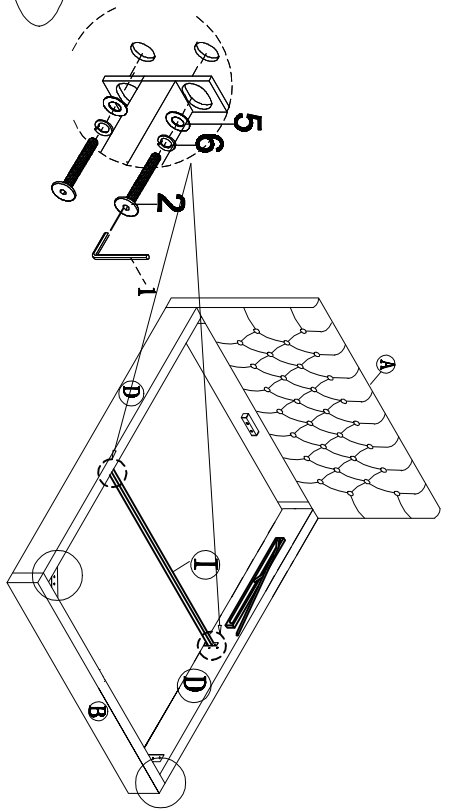
step 4



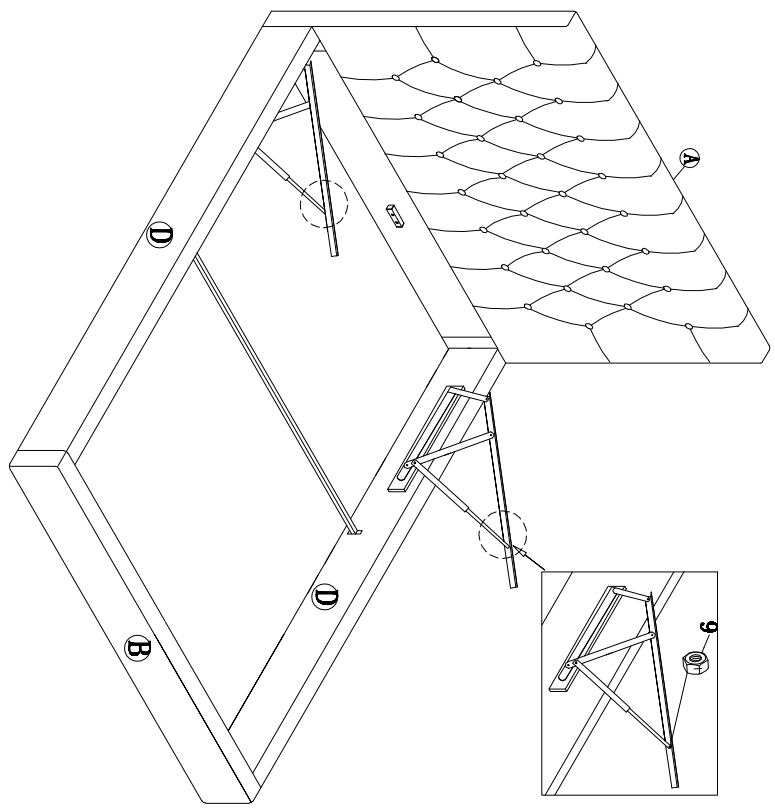
step 5

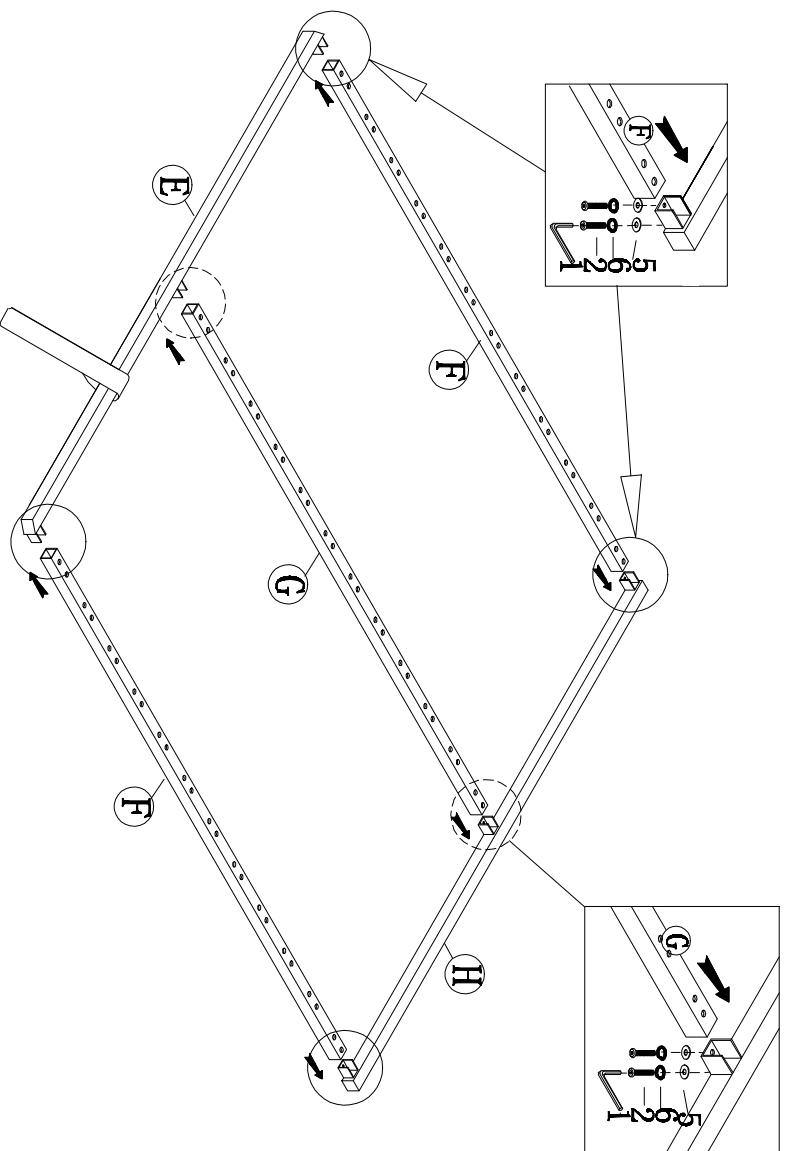


step 6

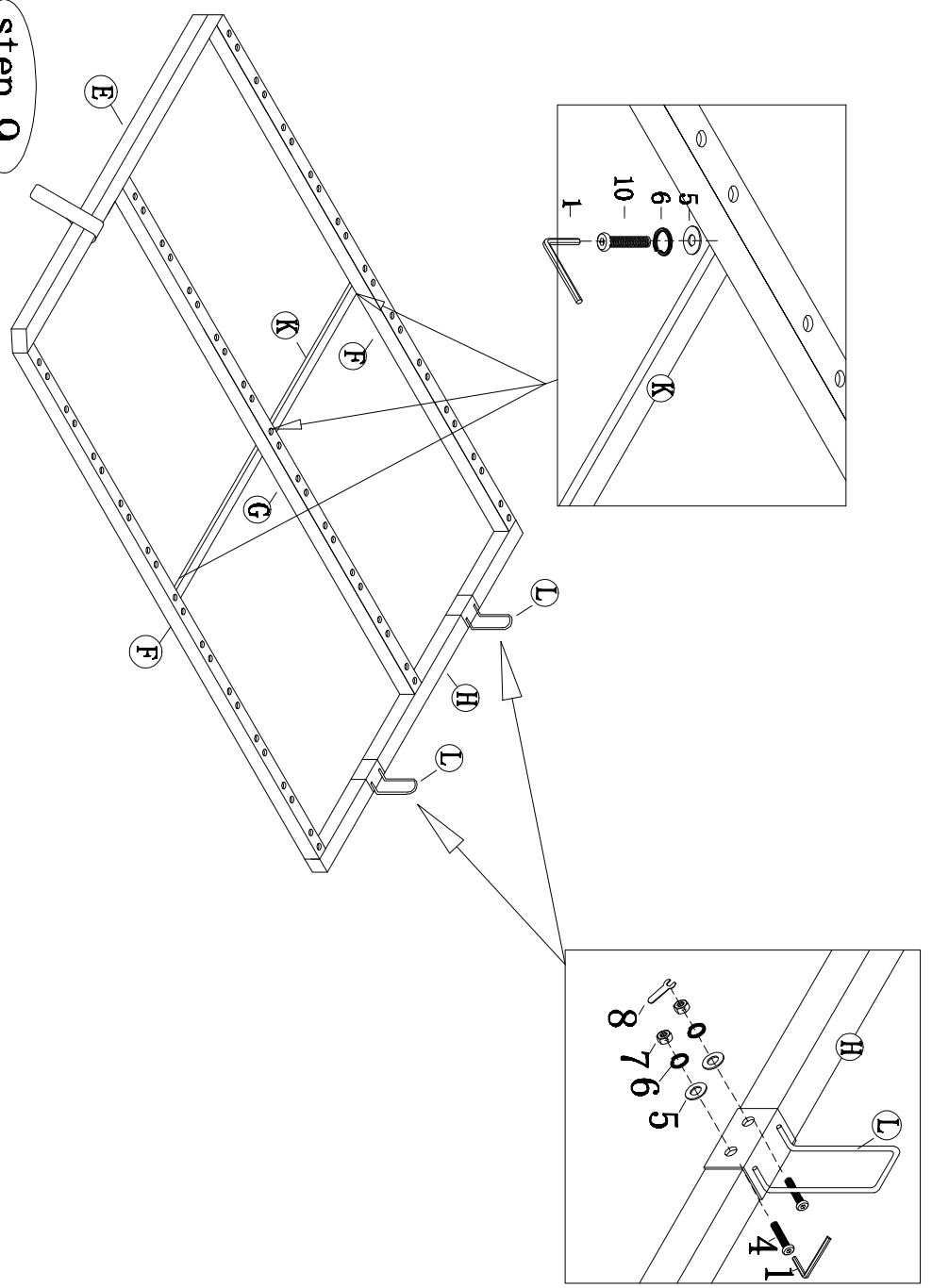


step 7

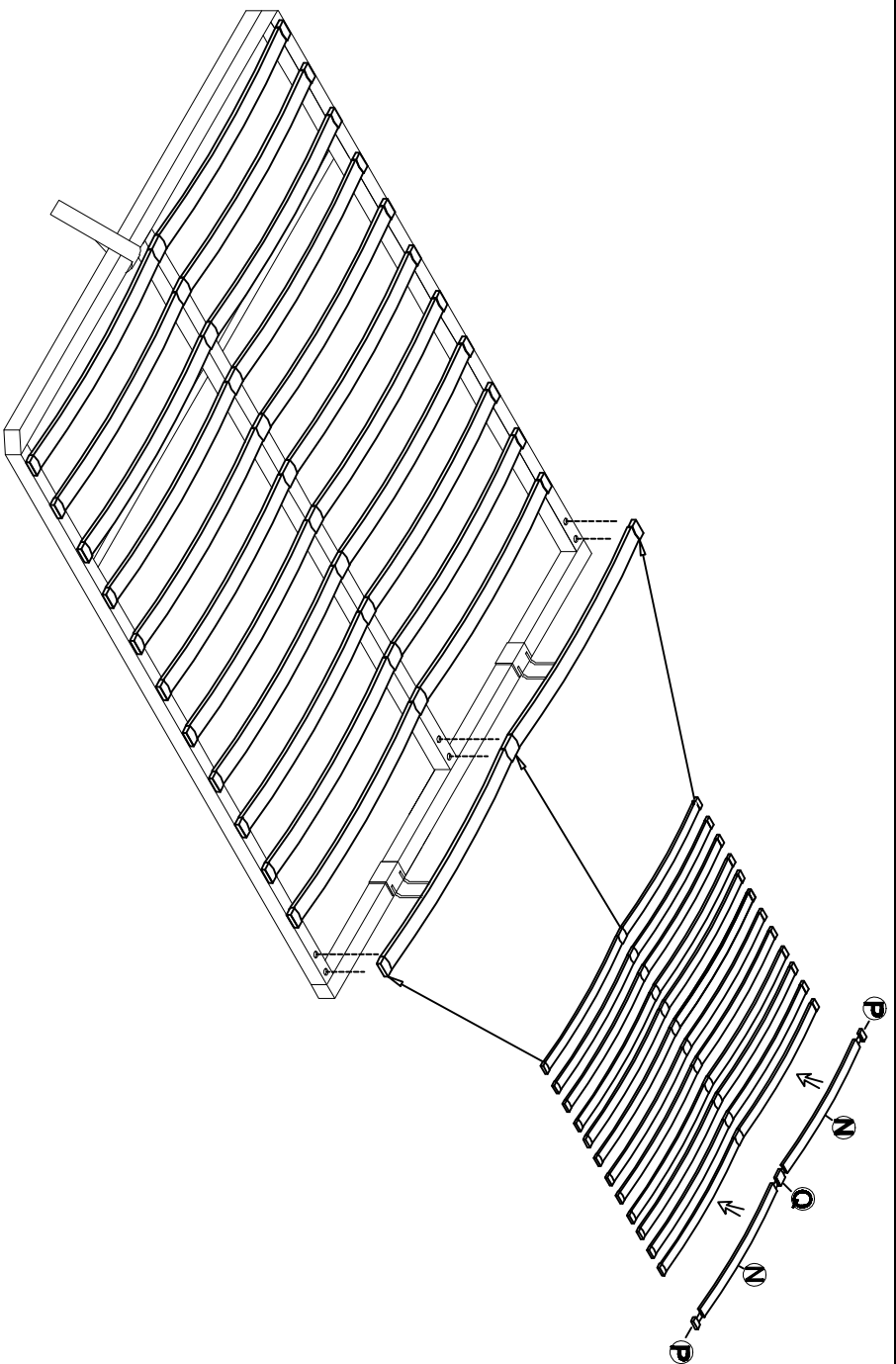




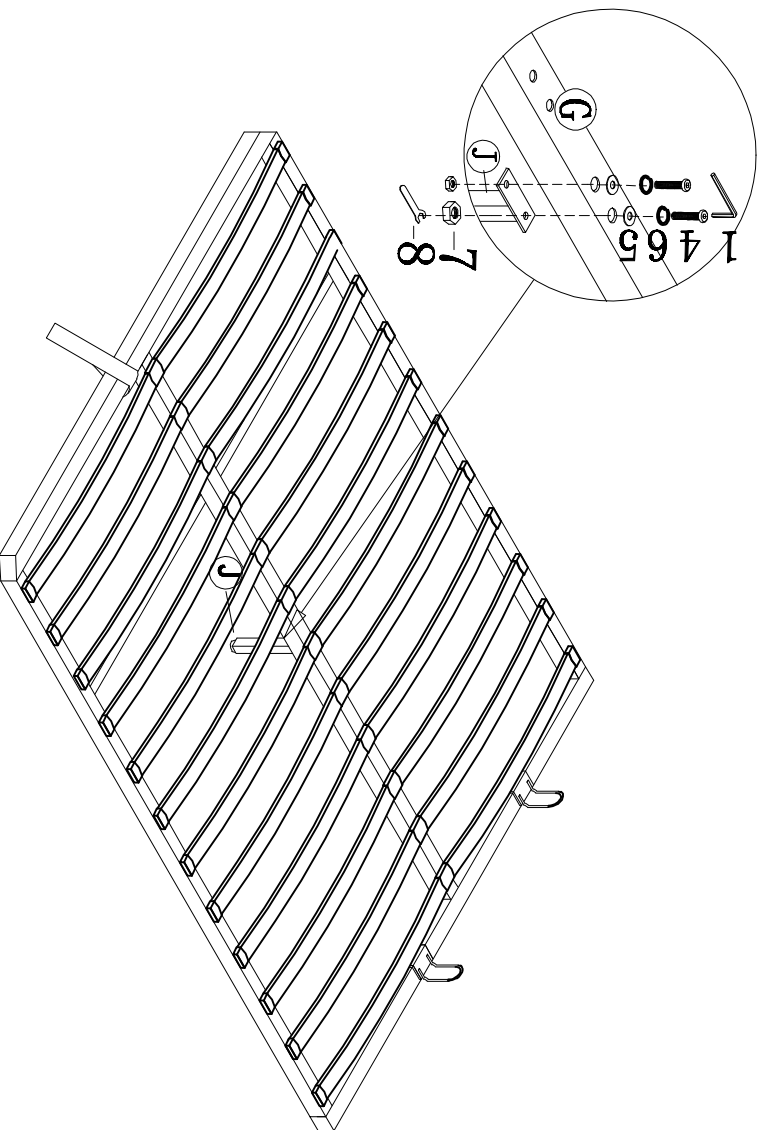
step 8



step 9

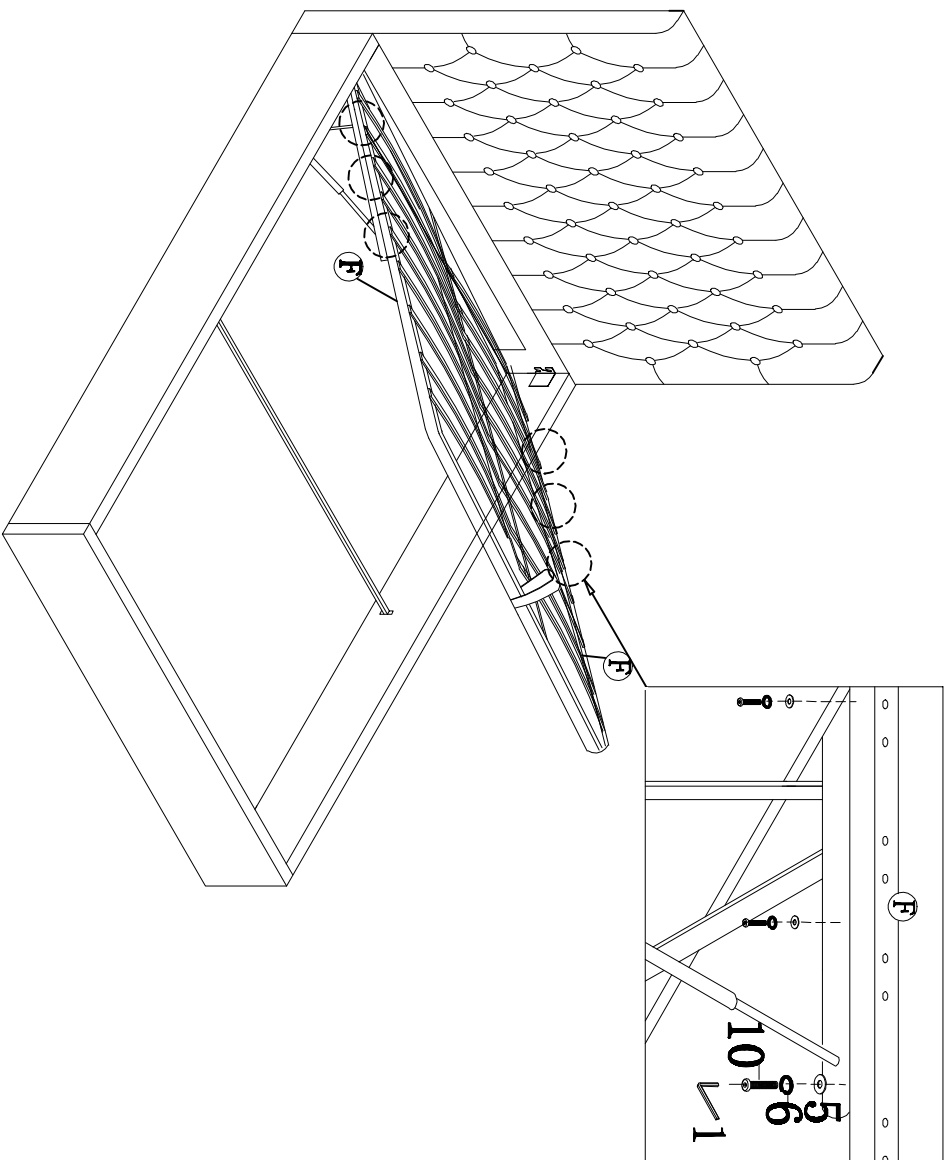


step 10



step 11

step 12



step 13

